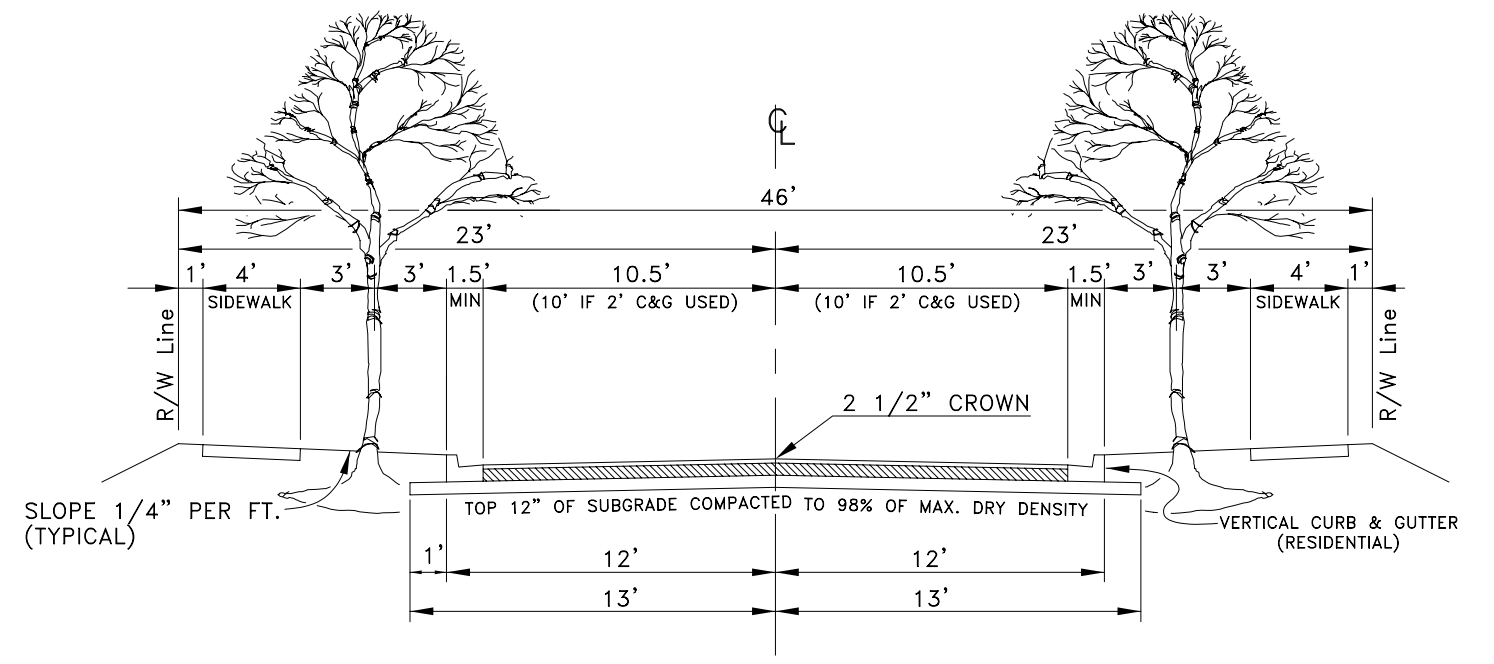


INTERIOR STREETS

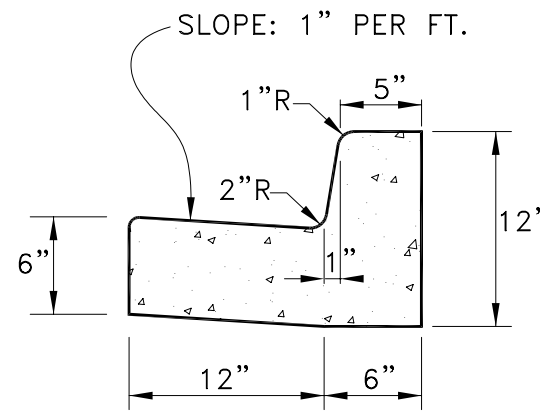


ENTRANCE STREETS

CONSERVATION SUBDIVISION OVERLAY DISTRICT STREETS

**PAVEMENT OPTIONS**

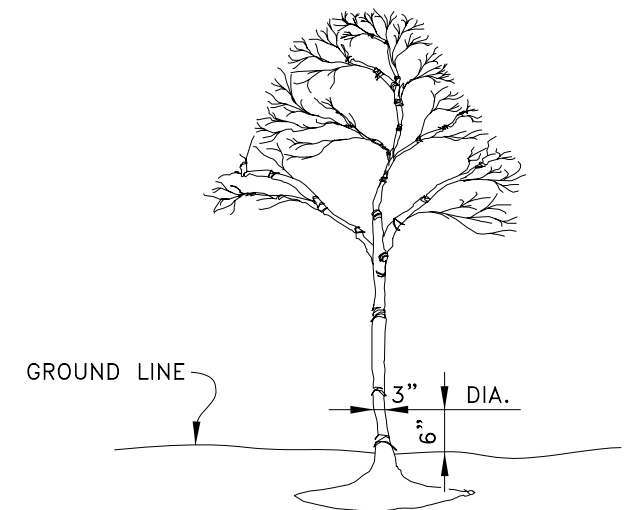
1. 6" Soil Cement Base, 2" Type "E" or "F" Surface Course (Single Lift)
2. 6" Graded Aggregate Base, 2" Type "E" or "F" Surface Course (Single Lift)
3. 5" Graded Aggregate Base, 2" Type "B" Binder (Single Lift), 1" Type "E" or "F" Surface Course



18" VERTICAL CURB AND GUTTER (RESIDENTIAL)

**STREET TREE NOTES**

1. TREE SHALL BE AT LEAST 3" DIAMETER AT A POINT 6" ABOVE THE GROUND LINE AT TIME OF PLANTING.
2. ONE TREE FOR EACH 50 LINEAR FEET OF STREET (BOTH SIDES) SHALL BE PLANTED.
3. ONLY TREES AUTHORIZED IN APPENDIX "A" OF THE "BUFFER, LANDSCAPE AND TREE ORDINANCE" SHALL BE PLACED ADJACENT TO SIDEWALKS.
4. THE ROOT SYSTEMS ARE TYPICALLY LOCATED WITHIN THE TOP 18" OF THE SOIL.
5. SEE SHEET NUMBERS 802 AND 803 FOR ADDITIONAL TREE PLANTING DETAILS.



STREET TREE DETAIL

**SOIL CEMENT BASE NOTES**

1. THE BASE COURSE SHALL CONSIST OF 6" OF SUITABLE SOIL (HIGH MICA OR SILT CONTENT IS NOT SUITABLE) STABILIZED WITH 10% PORTLAND CEMENT BY VOLUME. FOR THE TYPE OF CLAY WE HAVE IN MUCH OF GWINNETT COUNTY, THAT WOULD REQUIRE 42.3 LBS. OF CEMENT/SQUARE YARD OF 6" BASE, EITHER MIXED IN PLACE OR IN A CENTRAL MIXING PLANT.
2. ALL MATERIAL, EQUIPMENT, AND WORK ARE TO BE IN ACCORDANCE WITH THE PORTLAND CEMENT ASSOCIATION, "SUGGESTED SPECIFICATIONS FOR SOIL CEMENT BASES."
3. MINIMUM CURING PERIOD OF 7 DAYS BEFORE PAVING IS ALLOWED.
4. POOR QUALITY CONTROL AND LACK OF CONSISTENCY ARE THE TWO FACTORS WHICH CAN LEAD TO MASSIVE BASE FAILURES AFTER RELATIVELY SHORT PERIODS OF TIME. WHEN THIS MATERIAL IS TO BE USED IN GWINNETT COUNTY, DEVELOPMENT INSPECTORS SHALL BE NOTIFIED IN ADVANCE OF EACH STEP.
5. FOR GRADES OF 5% OR MORE, A SINGLE SURFACE TREATMENT IS REQUIRED.

**GENERAL NOTES:**

1. UNSUITABLE SUBGRADE MATERIAL SHALL BE REMOVED AND REPLACED WITH A WELL DRAINED, GRANULAR MATERIAL IN 12" (MAX) LOOSE MEASURE LIFTS AND COMPACTED TO AT LEAST 98% OF THE STANDARD PROCTOR TEST PRIOR TO THE CONSTRUCTION OF THE BASE COURSE.
2. PAVING SHALL NOT BEGIN WITHOUT A RELEASE FROM THE DEPARTMENT. THE CONTRACTOR WILL BE HELD RESPONSIBLE FOR REPLACING ANY PAVEMENT, BASE AND SUBGRADE THAT FAILS BECAUSE OF A POORLY CONSTRUCTED SUBGRADE.
3. ONLY VERTICAL CURB AND GUTTER WILL BE ALLOWED WITHOUT PRIOR APPROVAL OF THE DEPARTMENT.

BY	REVISION	DATE
EOP	REVISE TREES	08/01/01
EOP	REV. PAV'T WIDTH	11/28/02
EOP	ADD 18" C&G DET	03/07/02



GWINNETT COUNTY  
DEPARTMENT OF PLANNING & DEVELOPMENT  
STANDARD DRAWING

Conservation Subdivision Overlay District Streets

DATE: MAY, 2001

SHEET: 403