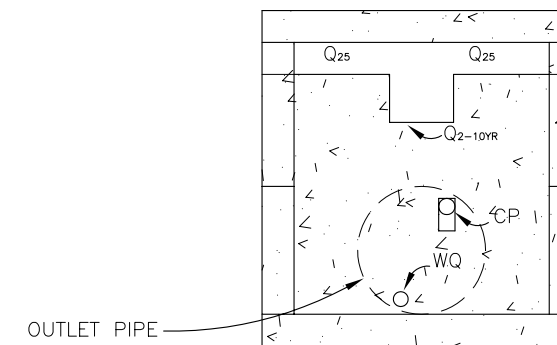


PLAN VIEW



FRONT VIEW

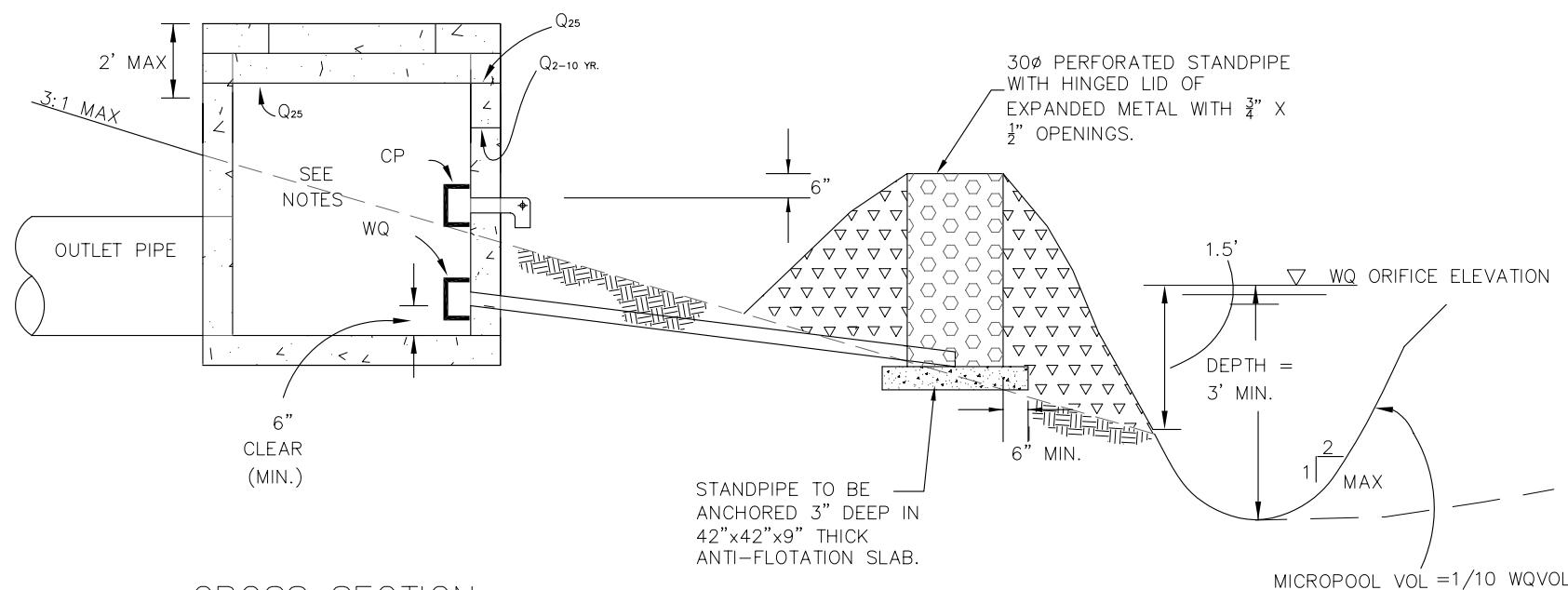
NOTES:

- 1.) WEIR CONFIGURATION SHOWN FOR CONCEPTUAL PURPOSES ONLY
- 2.) REFER TO GC STD. DRAWING 629 FOR CHANNEL PROTECTION (CP) AND WATER QUALITY (WQ) ORIFICE END-CAPS.
- 3.) REFER TO GC STD. DRAWING 611 FOR MANHOLE LID.
- 4.) FOR DAM HEIGHT > 5' REFER TO STD. DWG #617.
- 5.) ORIFICE & CORRESPONDING PIPE SIZES:

ORIFICE SIZE	PIPE SIZE
<3"	6"
3" TO <5"	8"
5" TO <11"	12"

TOP OF DAM = _____ FT

EMER. SPILLWAY = _____ FT



CROSS SECTION

EVENT	ORIFICE/WEIR INV ELEV.	ORIFICE DIA. (IN)	WEIR LEN. (FT)	VOL. (CF)	WSEL
WQ					
CP					
2					
5					
10					
25					
100					



GWINNETT COUNTY
 DEPARTMENT OF PLANNING & DEVELOPMENT
 STANDARD DRAWING
 OUTLET STRUCTURE WITH STANDPIPE
 AND MICROPOOL OR WET POND
 DAM HEIGHT=5' MAX
 DATE: NOVEMBER 2002