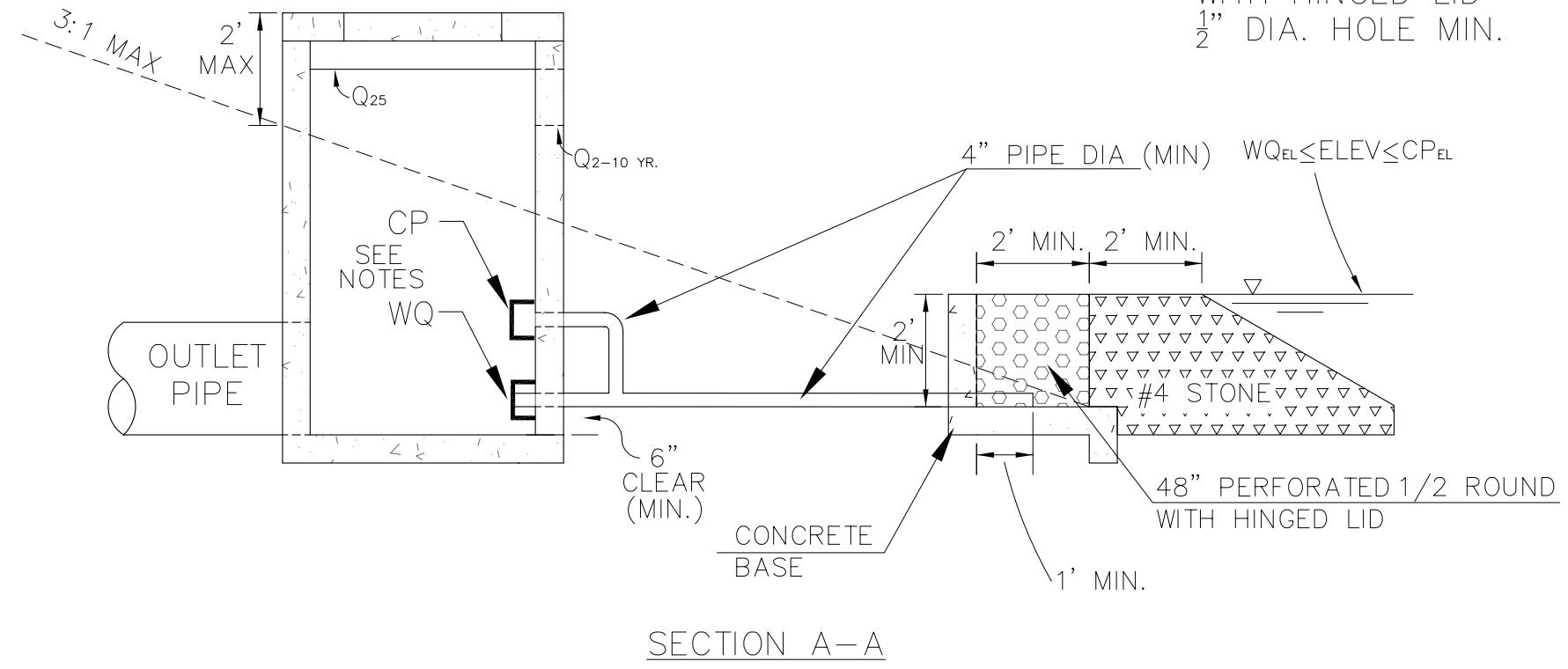


- NOTES:
- 1.) WEIR CONFIGURATION SHOWN FOR CONCEPTUAL PURPOSES ONLY
 - 2.) THREADED END CAP WITH ORIFICE REQ'D FOR ORIFICE DIA. < 4".
 - 3.) REFER TO GC STD. DRAWING 629 FOR ORIFICE END-CAPS.
 - 4.) REFER TO GC STD. DRAWING 611 FOR MANHOLE LID.
 - 5.) STONE FILTER SHALL BE #4 STONE OR SMALLER.
 - 6.) FOR ROUND STRUCTURES PROVIDE 48" PERFORATED 3/4" ROUND WITH HINGED LID AND 1/2" DIA. HOLE MIN.

TOP OF DAM = _____ FT
 EMER. SPILLWAY = _____ FT

EVENT	ORIFICE/WEIR INV ELEV.	ORIFICE DIA. (IN)	WEIR LEN. (FT)	VOL. (CF)	WSEL
WQ					
CP					
2					
5					
10					
25					
100					



GWINNETT COUNTY
 DEPARTMENT OF PLANNING & DEVELOPMENT
 STANDARD DRAWING

OUTLET CONTROL 1/2" ROUND
 STONE FILTER