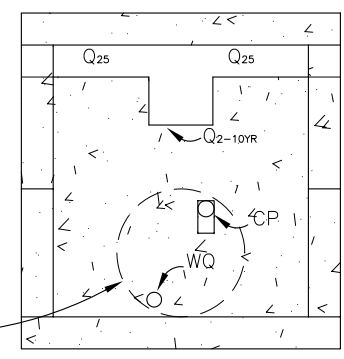


PLAN VIEW

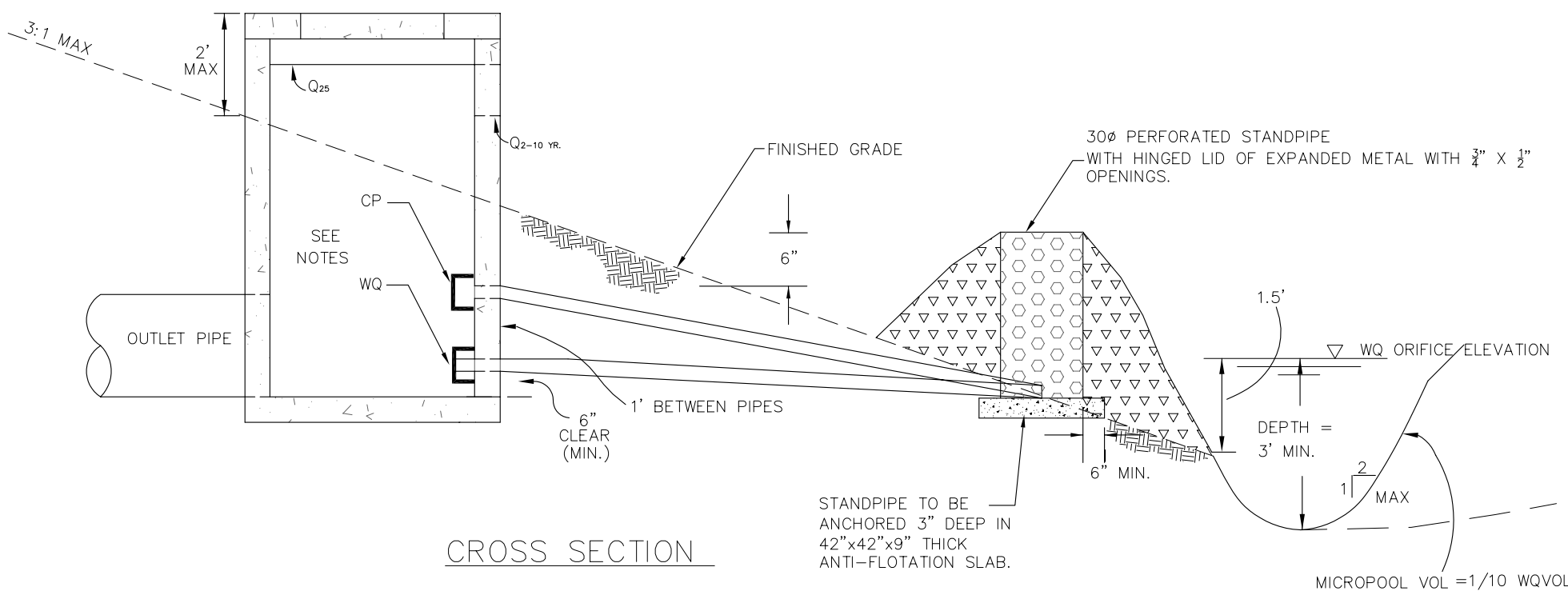


FRONT VIEW

NOTES:

- 1.) WEIR CONFIGURATION SHOWN FOR CONCEPTUAL PURPOSES ONLY
- 2.) REFER TO GC STD. DRAWING 629 FOR CHANNEL PROTECTION (CP) AND WATER QUALITY (WQ) ORIFICE END-CAPS.
- 3.) REFER TO GC STD. DRAWING 611 FOR MANHOLE LID.
- 4.) FOR DAM HEIGHT OF 5' MAX REFER TO STD. DWG. 614.
- 5.) ORIFICE & CORRESPONDING PIPE SIZES:

ORIFICE SIZE	PIPE SIZE
<3"	6"
3" TO <5"	8"
5" TO <11"	12"



CROSS SECTION

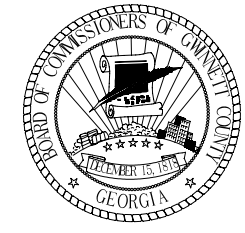
TOP OF DAM = ____ FT

EMER. SPILLWAY = ____ FT

EVENT	ORIFICE/WEIR INV ELEV.	ORIFICE DIA. (IN)	WEIR LEN. (FT)	VOL. (CF)	WSEL
WQ					
CP					
2					
5					
10					
25					
100					

STANDPIPE TO BE ANCHORED 3" DEEP IN 42"x42"x9" THICK ANTI-FLOTATION SLAB.

MICROPOOL VOL = 1/10 WQVOL



GWINNETT COUNTY
 DEPARTMENT OF PLANNING & DEVELOPMENT
 STANDARD DRAWING
 OUTLET STRUCTURE WITH STANDPIPE
 AND MICROPOOL OR WET POND
 DAM HEIGHT > 5'
 DATE: NOVEMBER 2002