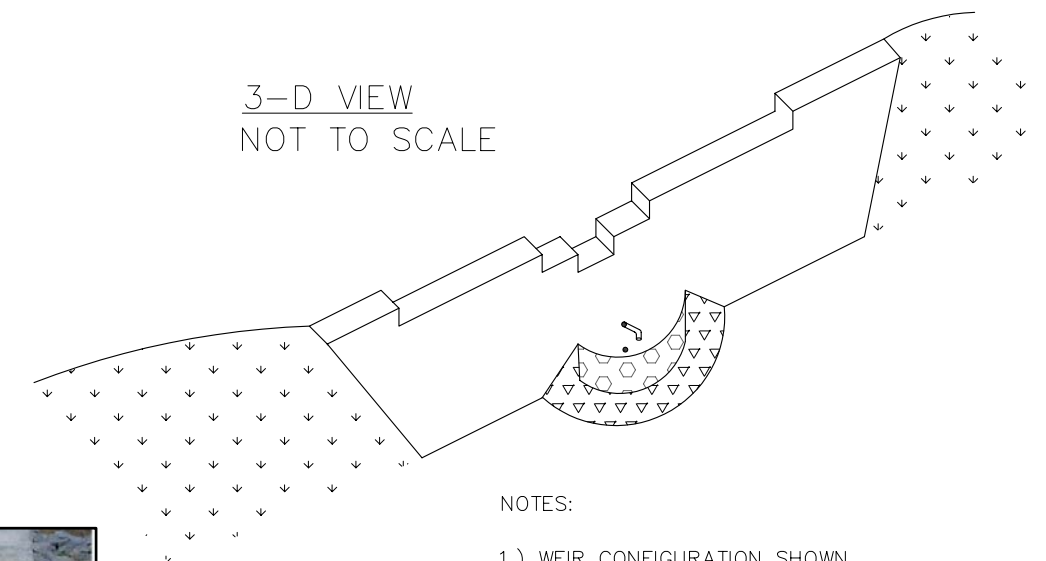


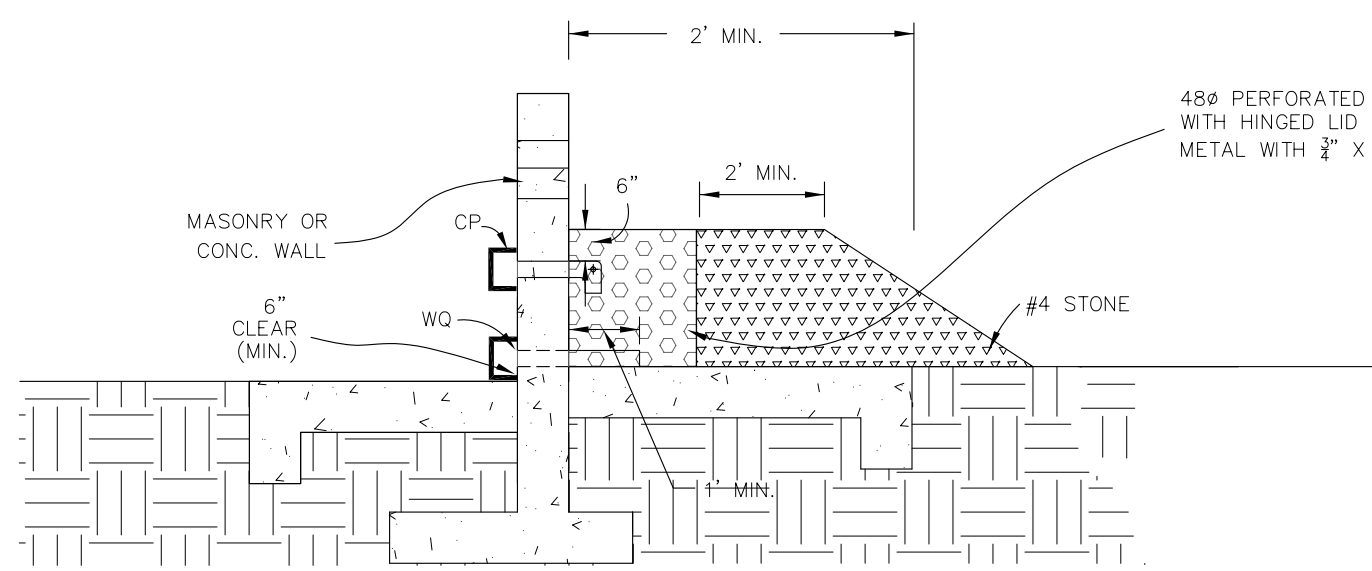
PLAN VIEW



NOTES:

- 1.) WEIR CONFIGURATION SHOWN FOR CONCEPTUAL PURPOSES ONLY
- 2.) REFER TO GC STD. DRAWING 629 FOR CHANNEL PROTECTION (CP) AND WATER QUALITY (WQ) ORIFICE END-CAPS.
- 3.) REFER TO 626 FOR TYPICAL DETENTION POND WALL TIE IN.
- 4.) STONE FILTER SHALL BE #4 STONE. GABIONS MAY BE USED AS AN ALTERNATIVE.
- 5.) FOR ROUND STRUCTURES PROVIDE 48"  $\frac{3}{4}$ " ROUND PERFORATED WITH  $\frac{1}{2}$ " DIA. HOLE. HINGED LID TO BE OF EXPANDED METAL WITH  $\frac{3}{4}$ " X  $\frac{1}{2}$ " OPENINGS
- 6.) ORIFICE & CORRESPONDING PIPE SIZES:

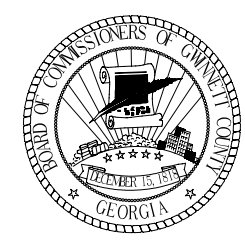
ORIFICE SIZE	PIPE SIZE
<3"	6"
3" TO <5"	8"
5" TO <11"	12"



CROSS SECTION

TOP OF WALL = \_\_\_\_\_ FT

EVENT	ORIFICE/WEIR INV ELEV.	ORIFICE DIA. (IN)	WEIR LEN. (FT)	VOL. (CF)	WSEL
WQ					
CP					
2					
5					
10					
25					
100					



GWINNETT COUNTY  
DEPARTMENT OF PLANNING & DEVELOPMENT  
STANDARD DRAWING

OUTLET CONTROL RETAINING WALL  
WITH 1/2 ROUND STONE FILTER

DATE: NOVEMBER 2002

SHEET: 618

REVISION #1: DECEMBER 3RD 2004