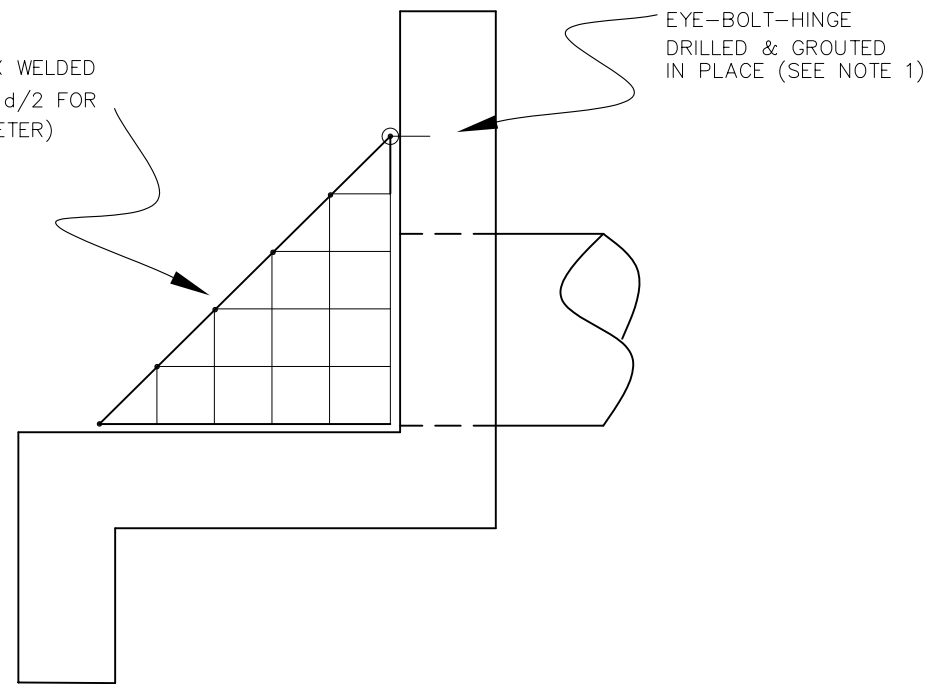
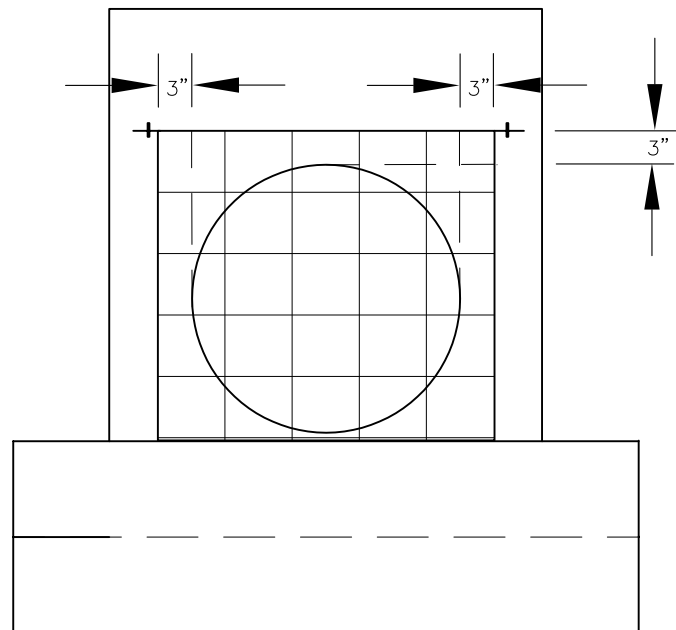


#4's @ 6" O.C. MAX WELDED
(USE SPACING OF $d/2$ FOR
PIPES < 12" DIAMETER)



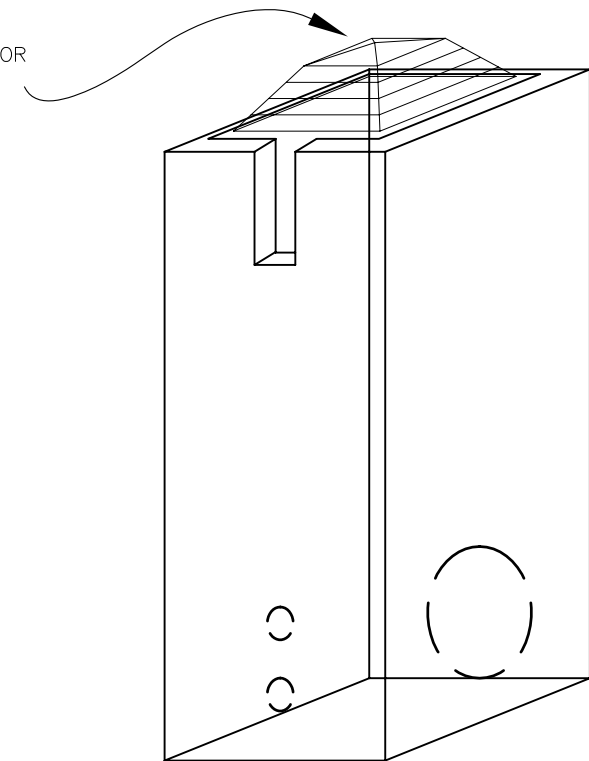
EYE-BOLT-HINGE
DRILLED & GROUTED
IN PLACE (SEE NOTE 1)

NOTES:
1.) 3/4" ANCHORED BOLTS (EMBEDDED 3")

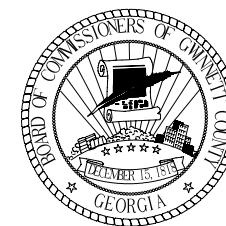


ORIFICE TRASHRACK

REMOVABLE TRASH RACK WITH ACCESS DOOR
BOLT TO OUTLET BOX
SUBMIT DWGS. FOR REVIEW BY ENGINEER



TOP TRASHRACK



GWINNETT COUNTY
DEPARTMENT OF PLANNING & DEVELOPMENT
STANDARD DRAWING
OUTLET CONTROL STRUCTURE
TRASHRACK DETAILS

REVISION #1: DECEMBER 3RD 2004

DATE: NOVEMBER 2002

SHEET: 628