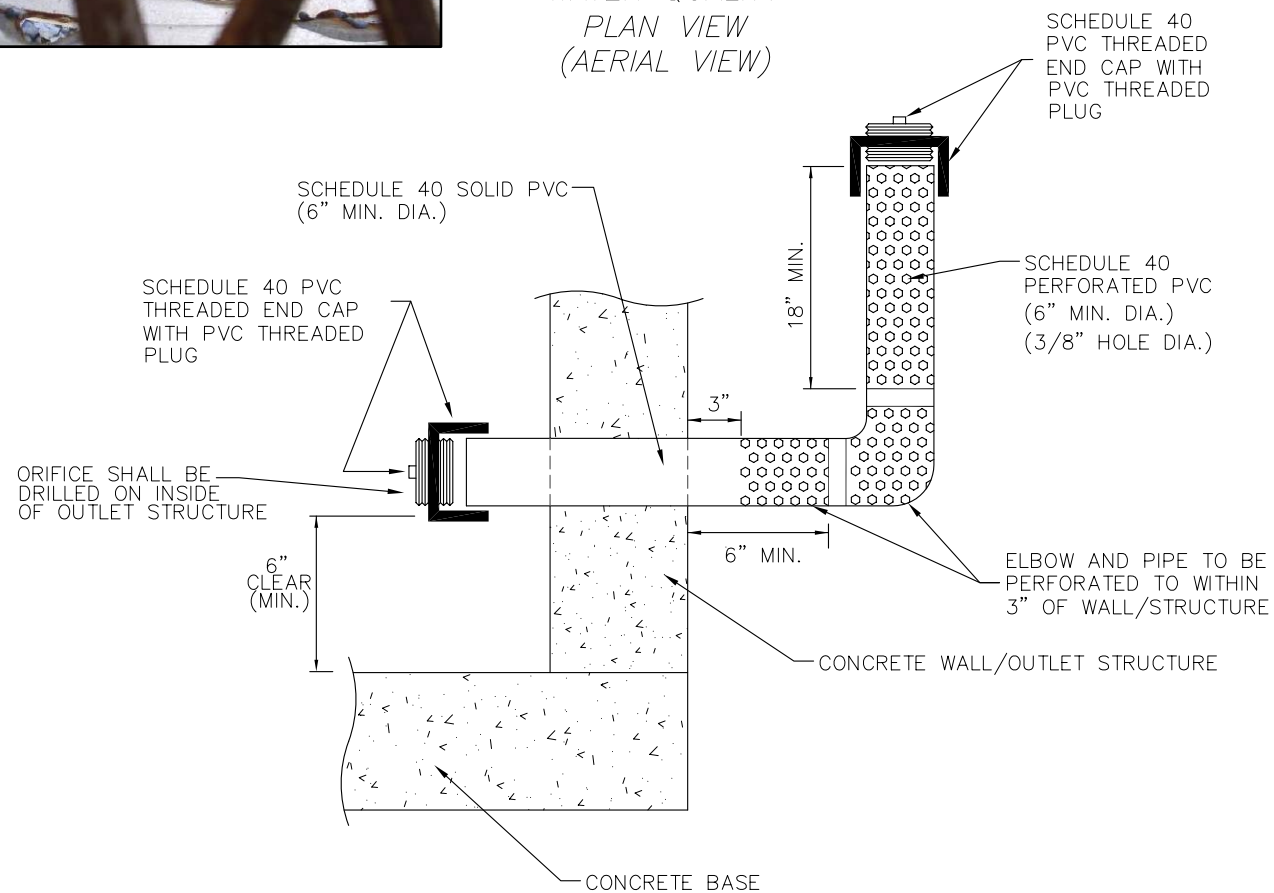
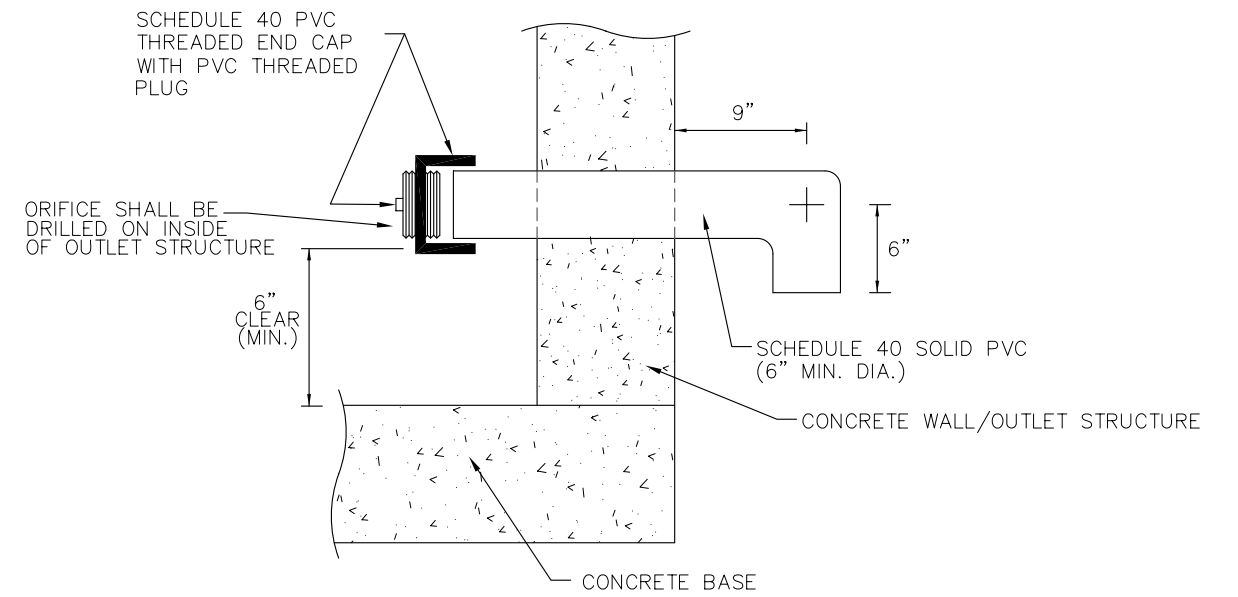


WATER QUALITY  
PLAN VIEW  
(AERIAL VIEW)



WATER QUALITY (WQ)  
ORIFICE END-CAP

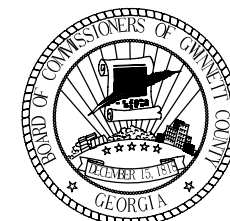


CHANNEL PROTECTION (CP)  
ORIFICE END-CAP

NOTES (TO APPLY TO ALL):

- 1.) FILL GAP BETWEEN STRUCTURE & PVC WITH MORTAR OR INSTALL A FERNCO ADAPTER.
- 2.) SIZE ORIFICE AS REQUIRED
- 3.) PIPE SIZE SHALL BE SPECIFIED PER TABLE BELOW. PIPE SIZES SHALL BE CONSISTENT FOR EACH END-CAP ASSEMBLY.
- 4.) VARIATIONS TO THIS DETAIL MAY BE ACCEPTABLE ON A CASE BY CASE BASIS. MODIFICATIONS SHALL BE SUBJECT TO REVIEW AND APPROVAL BY THE STORMWATER DEPARTMENT.

OUTLET ORIFICE DIAMETER	PIPE SIZE
<3"	6"
3" TO <5"	8"
5" TO <11"	12"



GWINNETT COUNTY  
DEPARTMENT OF PLANNING & DEVELOPMENT  
STANDARD DRAWING  
ORIFICE END-CAP DETAILS

REVISION #1: DECEMBER 3RD 2004  
REVISION #2: MARCH 15TH 2005  
REVISION #3: MAY 2ND 2005  
REVISION #4: JUNE 27TH 2006

DATE: NOVEMBER 2002

SHEET: 629