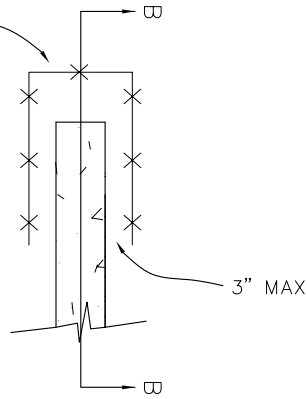


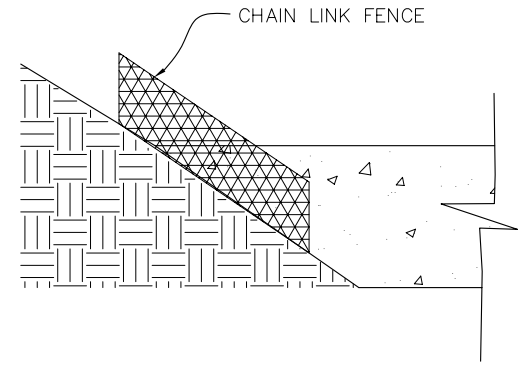
6' HIGH CHAIN LINK FENCE
TO EXTEND TO HEIGHT OF WALL = 8'



PLAN VIEW

NOTES:

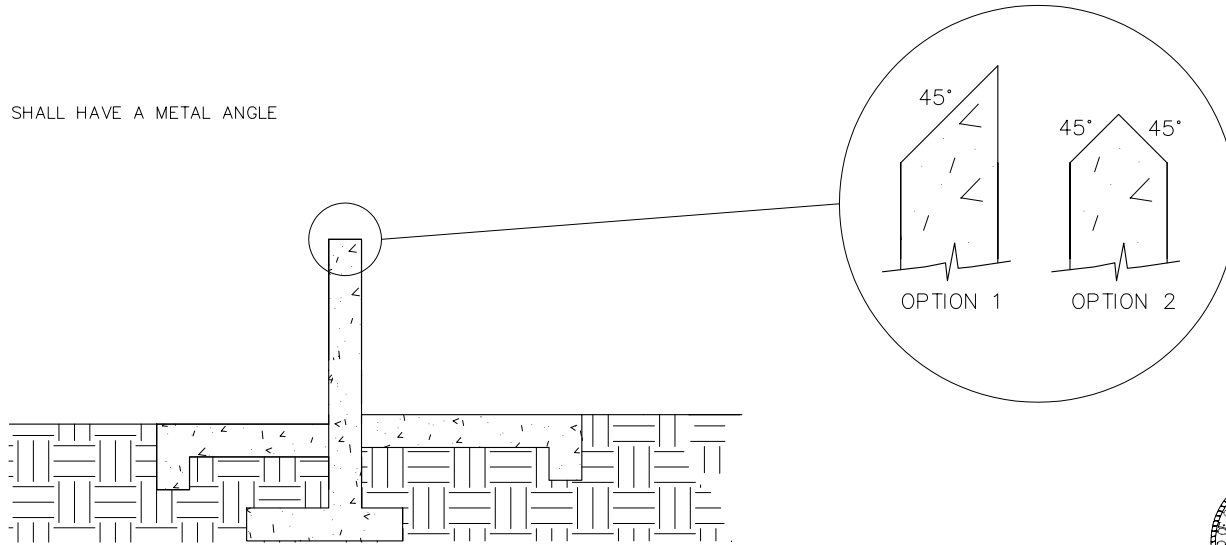
- 1.) FENCE POST SHALL BE SET IN CONCRETE
- 2.) MINIMUM GAUGE OF WIRE SHALL BE 12.
- 3.) FOR DETENTION POND WALLS GREATER THAN 4', SOME METHOD TO DISCOURAGE ACCESS TO THE TOP OF THE WALL SHALL BE PROVIDED. ONE OF THE THREE OPTIONS PRESENTED OR OTHER COUNTY ACCEPTED METHOD MAY BE USED.



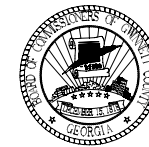
CROSS SECTION B-B

NOTES:

- 1.) OPTION #2 SHALL HAVE A METAL ANGLE



CROSS SECTION



GWINNETT COUNTY
DEPARTMENT OF PLANNING & DEVELOPMENT
STANDARD DRAWING
RETAINING WALL SAFETY TREATMENTS DETAIL
FOR DETENTION PONDS GREATER THAN 4'

DATE: JUNE 2005

SHEET: 630