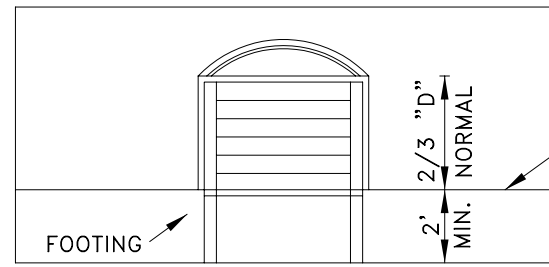
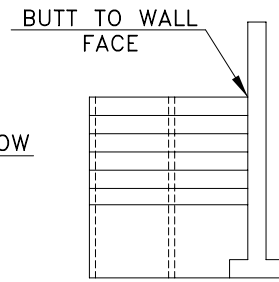


TYPE 2. FOR STRAIGHT HEADWALLS TO BE PLACED AT INLET



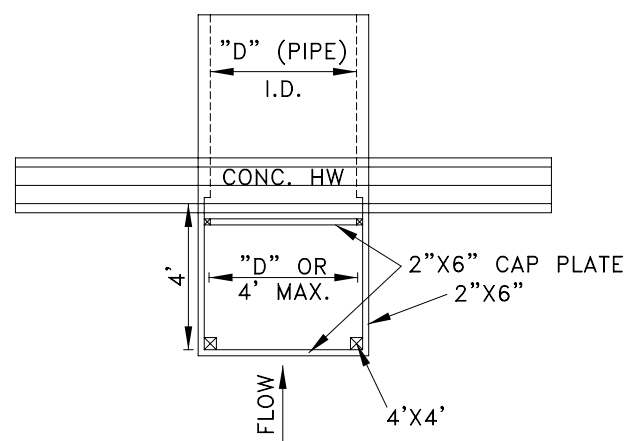
FRONT VIEW



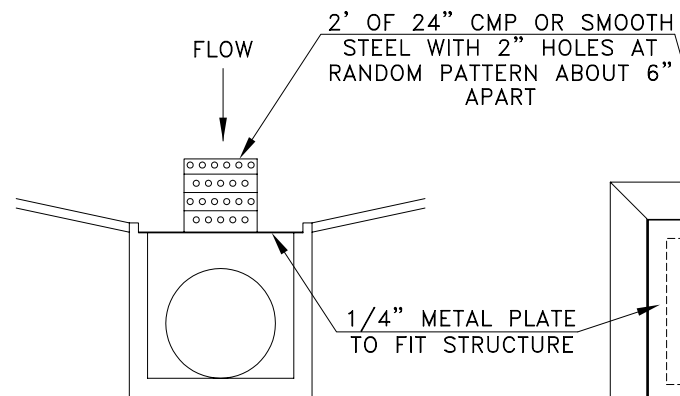
SIDE VIEW

NOTES:

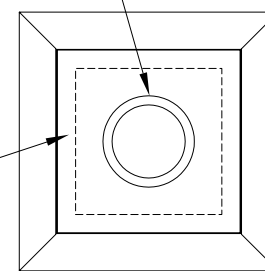
1. ALL TIMBER TO BE TREATED.
2. NO SPACE TO BE ALLOWED BETWEEN BOARDS.



TOP VIEW



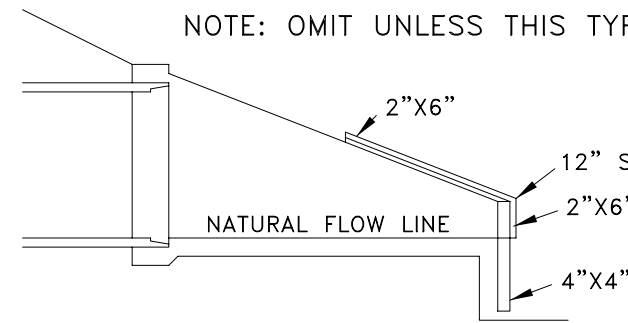
SIDE VIEW



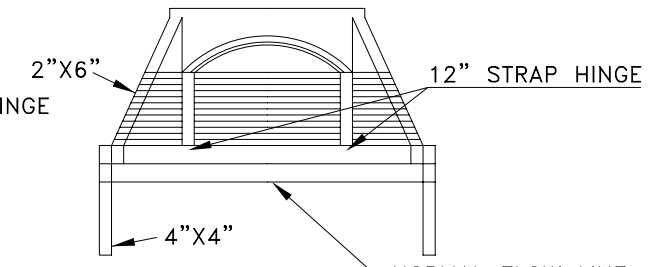
TOP VIEW

TYPE 4. FOR FLARED END SECTIONS AND SPECIAL DESIGN HEADWALLS

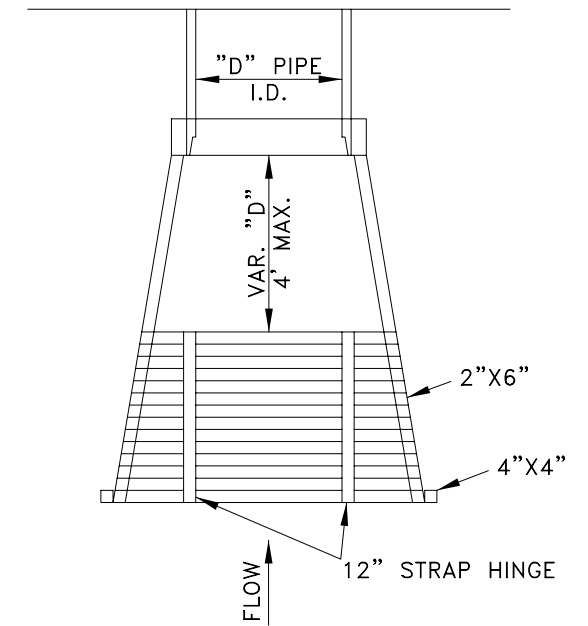
NOTE: OMIT UNLESS THIS TYPE HEADWALL ACCEPTED



SIDE VIEW

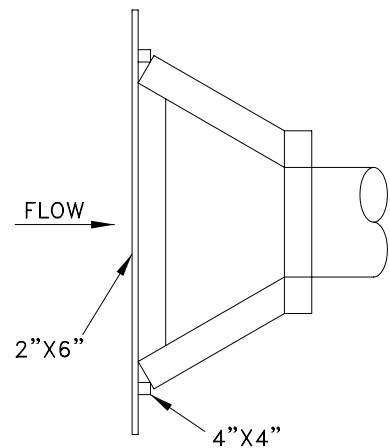


FRONT VIEW

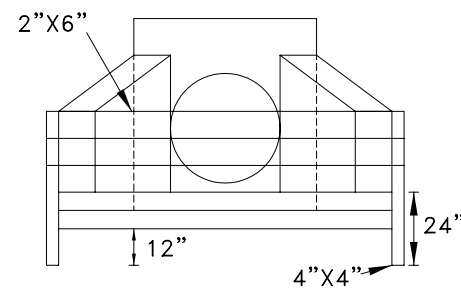


TOP VIEW

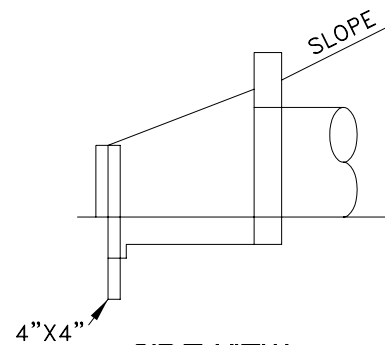
TYPE 3 FOR DROP INLETS AND CATCH BASINS



TOP VIEW



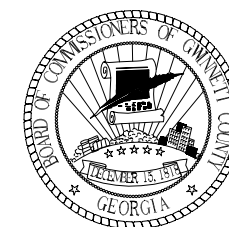
FRONT VIEW



SIDE VIEW

TYPE 1. TO BE PLACED ON INLET OF PRECAST HEADWALLS

REFER TO S.C.S. "MANUAL FOR EROSION AND SEDIMENT CONTROL IN GEORGIA" LATEST EDITION FOR OTHER DETAILS CONCERNING BEST MANAGEMENT PRACTICES.



GWINNETT COUNTY
DEPARTMENT OF PLANNING & DEVELOPMENT
STANDARD DRAWING

Temporary Erosion Control - Silt Gates
Types 1, 2, 3, and 4

DATE: JANUARY 1988

SHEET: 201