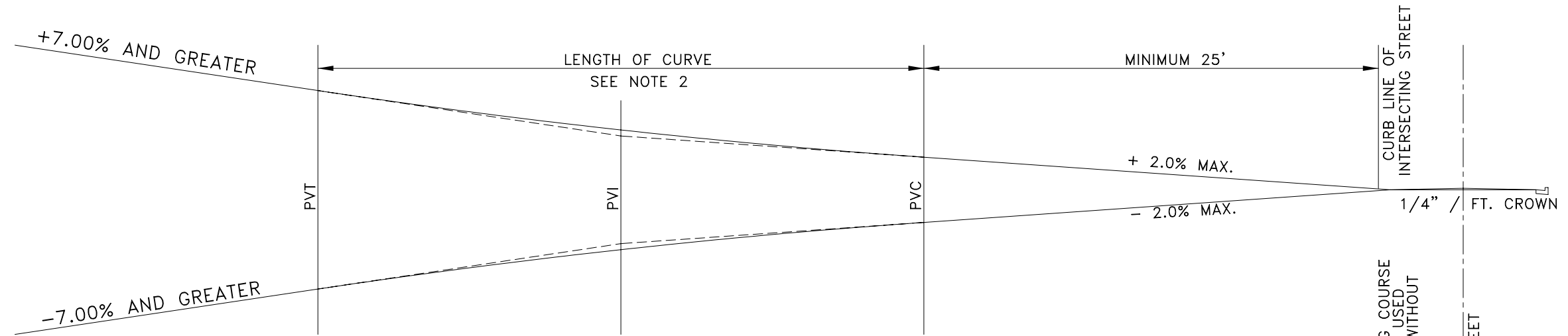


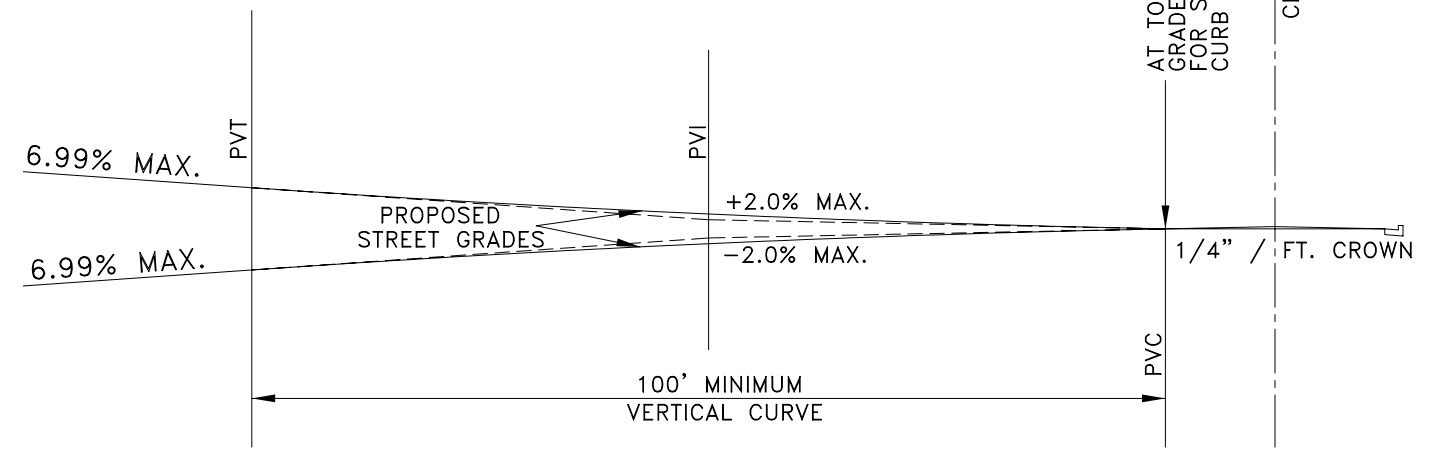
INTERSECTION OF LOCAL OR MINOR COLLECTOR STREETS



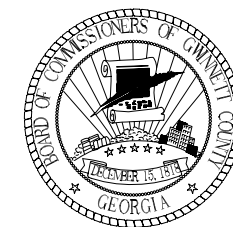
GRADES 7.00% AND GREATER

NOTES:

- 1) THIS STANDARD IS INTENDED TO BE A MINIMUM DESIGN STANDARD FOR CONTROL OF GRADES OF STREETS APPROACHING AN INTERSECTION WITH A LOCAL OR MINOR COLLECTOR STREET. FOR INTERSECTIONS WITH MAJOR THOROUGHFARES, SEE DEVELOPMENT REGULATIONS.
- 2) REFER TO DEVELOPMENT REGULATIONS TABLE 9-B FOR "K" VALUES FOR VERTICAL CURVES.



GRADES LESS THAN 7.00%



GWINNETT COUNTY
DEPARTMENT OF PLANNING & DEVELOPMENT
STANDARD DRAWING

**Vertical Alignment at Intersection with
Local or Minor Collector Street**

D A T E: JANUARY 1988

S H E E T: 304