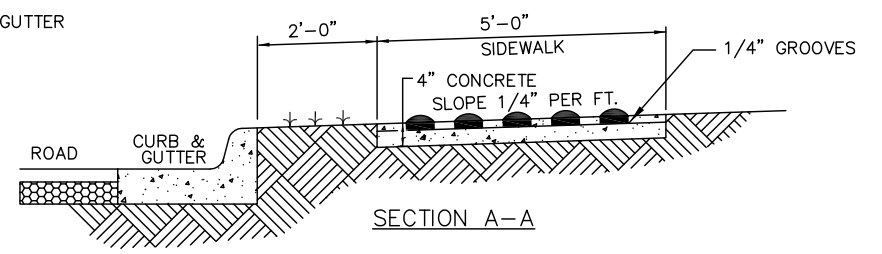
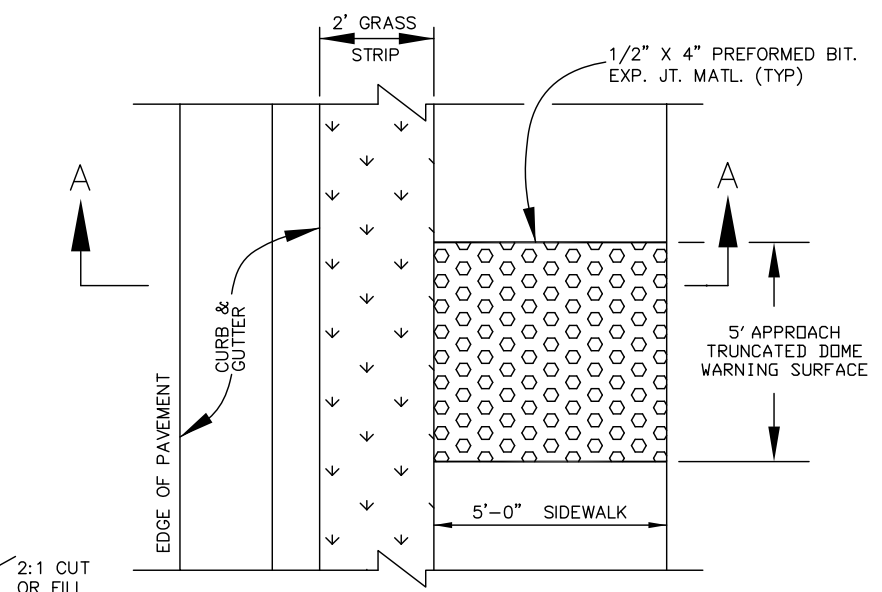
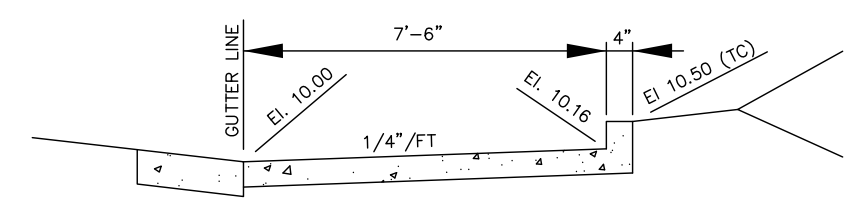


**SIDEWALK RAMP AT STREET INTERSECTION**



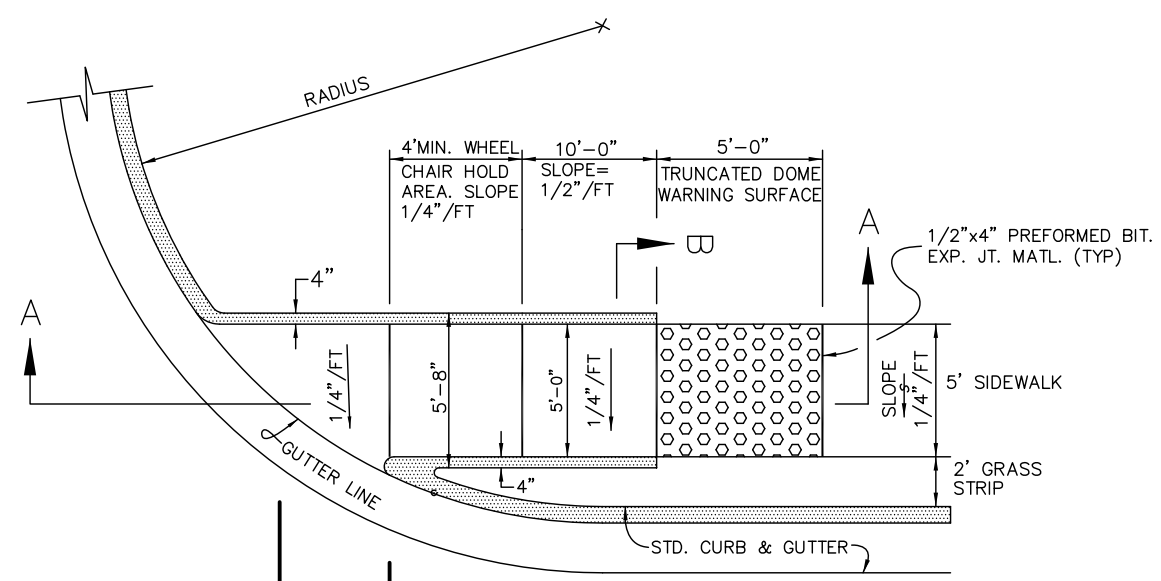
**TRUNCATED DOME WARNING SURFACE**

FOR SPECIFICATIONS ON WARNING SURFACE SEE STATE OF GEORGIA, DEPARTMENT OF TRANSPORTATION SPECIAL DETAIL A4, "DETECTABLE WARNING SURFACE TRUNCATED DOME SIZE SPACING AND ALIGNMENT REQUIREMENTS".

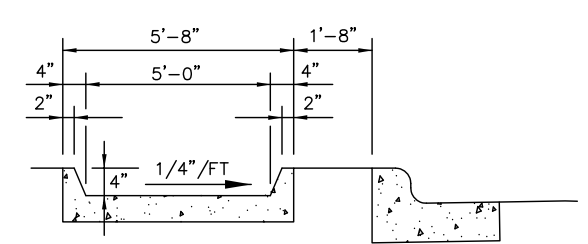


**SECTION A-A**

BY	REVISION	DATE
EDP	GENERAL REV.	03/18/02
PPI	WARNING SURFACE	11/2015



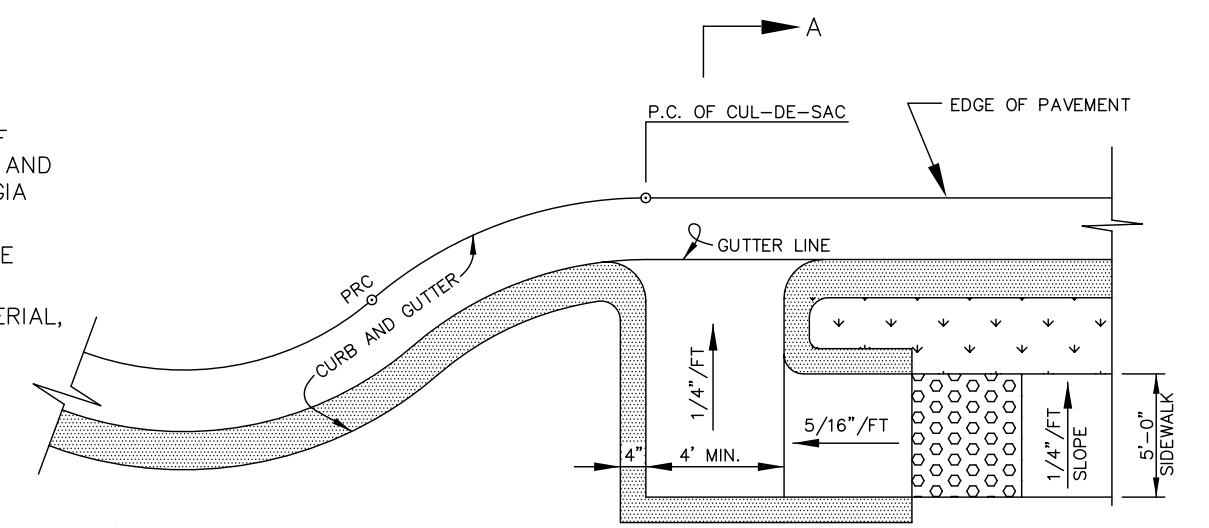
**SECTION A-A**  
**STRAIGHT SIDEWALK RAMP**  
5'-0" WIDTH SIDEWALK  
WITH 1'-8" GRASS STRIP



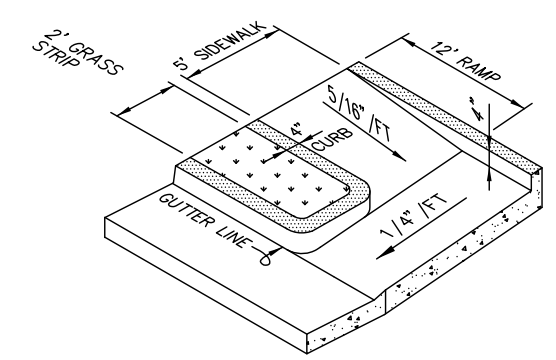
**SECTION B-B**

**GENERAL NOTES**

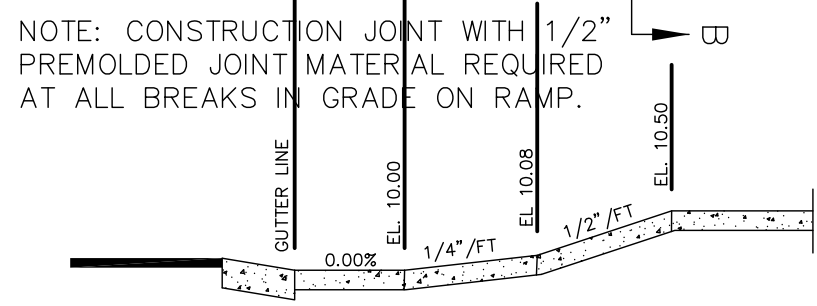
1. SIDEWALK INSTALLATION SHALL MEET THE REQUIREMENTS OF THE "UNIFORM FEDERAL ACCESSIBILITY STANDARDS"(UFAS), AND THE "AMERICAN DISABILITY ACT OF 1991", AND THE "GEORGIA ACCESSIBILITY CODE" LATEST EDITION.
2. ALL SIDEWALK AND WHEEL CHAIR RAMP LANDINGS SHALL BE A MINIMUM OF 5'-0" IN WIDTH.
3. CONSTRUCTION JOINTS, WITH 1/2" PREMOULDED JOINT MATERIAL, ARE REQUIRED AT ALL BREAKS IN GRADE ON ALL RAMPS.



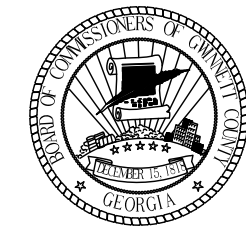
**"L SHAPED" MID-BLOCK SIDEWALK RAMP**



**ISOMETRIC VIEW**



NOTE: CONSTRUCTION JOINT WITH 1/2" PREMOULDED JOINT MATERIAL REQUIRED AT ALL BREAKS IN GRADE ON RAMP.



**GWINNETT COUNTY**  
DEPARTMENT OF PLANNING & DEVELOPMENT  
STANDARD DRAWING

**Handicap Ramp Details with 5' Sidewalk**

DATE: November, 2015 SHEET: 318