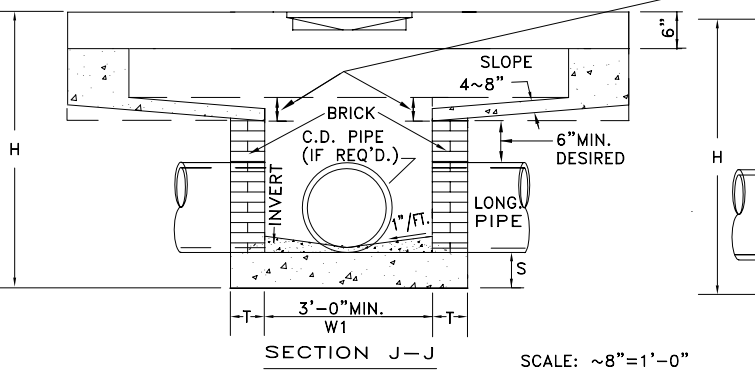
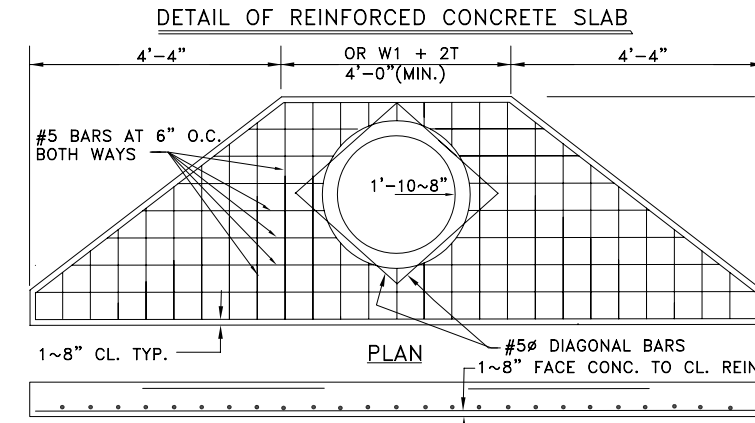


NOTE: NORMAL SLOPE OF CONCRETE APRON TO BE INCREASED BY 4" TO 8" WHERE "H" PERMITS AND LONGITUDINAL PIPE IS LOWERED FOR OTHER REASONS.



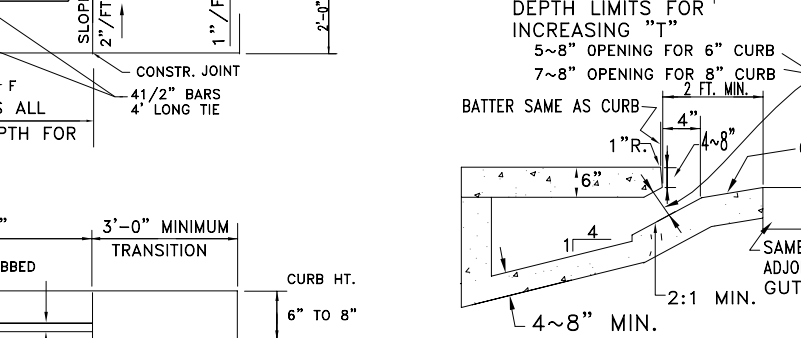
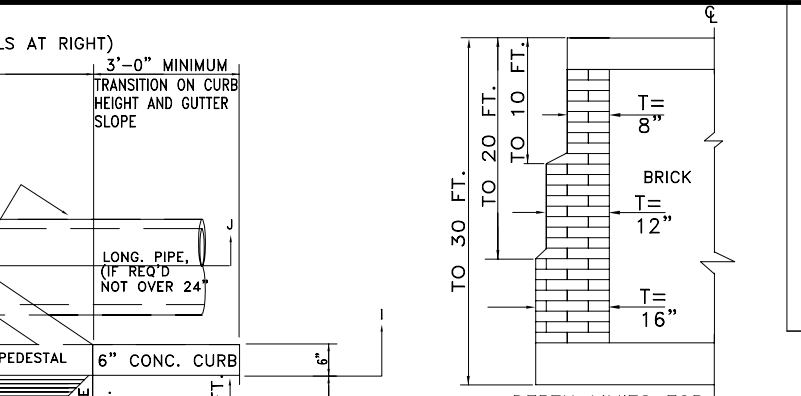
NOTE: PIPE SIZES, NUMBER, ALIGNMENT, AND INVERT SHOWN ARE ILLUSTRATIVE, SEE PLANS FOR SPECIFICS. INVERTS TO BE FORMED WITH GROUT OR CONCRETE AS DIRECTED BY THE ENGINEER OR AS SHOWN IN THE PLANS.



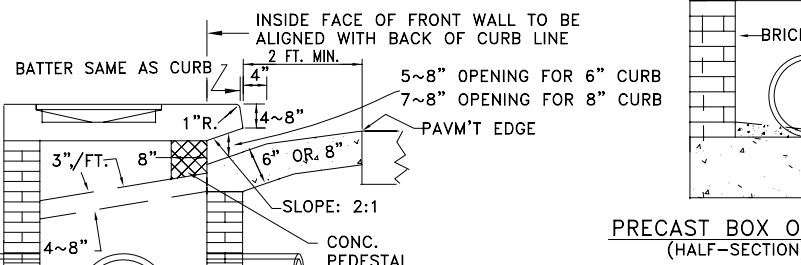
NOTE: ALL BARS IN PLAN VIEW ARE SPACED AT 6" O.C.

NOTE: FOR DETAIL OF REINFORCING STEEL IN TOP PORTION OF SLAB, SEE PART PLAN AT TOP RIGHT.

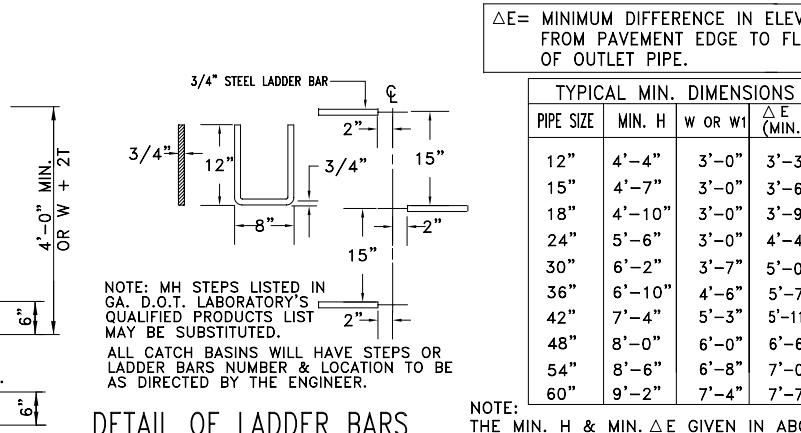
NOTE: TOP SLAB MAY BE CAST IN PLACE OR PRECAST IF CAST IN PLACE, BUILDER'S PAPER IS TO BE PLACED BETWEEN THE CATCH BASIN AND TOP SLAB.



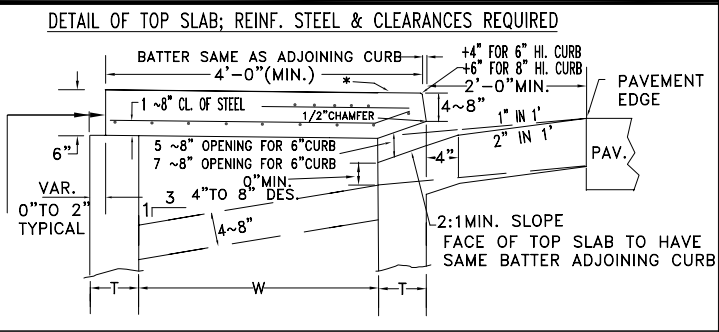
NOTE: SEE SEPARATE STD. FOR PRECAST ALTERNATES ADAPTERS (STD. 606) WILL BE REQUIRED WITH CIRCULAR, AND/OR BUILT-IN-PLACE CONSTR. MAY BE USED IN COMBINATIONS.



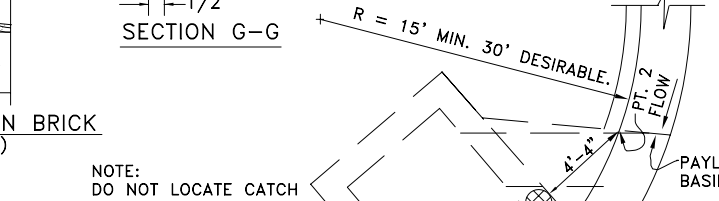
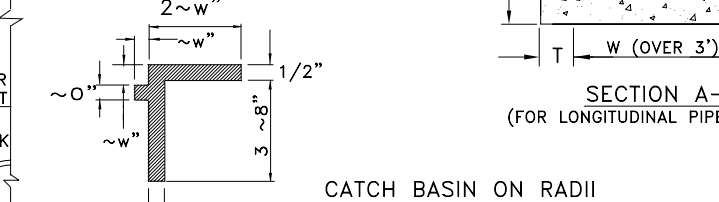
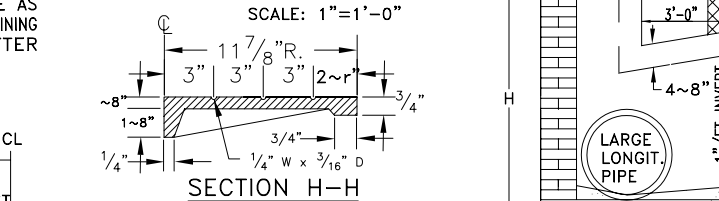
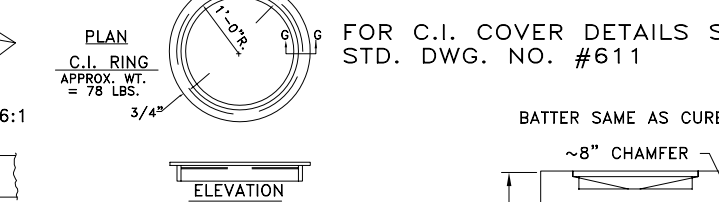
W OR W1 (MAX.)	BOTTOM SLAB MATERIALS	S
TO 4'-6"	NON-REINF. CONCRETE OR BRICK	6" / 8"
OVER 4'-6"	CONC. REINF. W1 #4 BARS 12" O.C. BOTH WAYS 2" CL. FROM SLAB TOP	8"



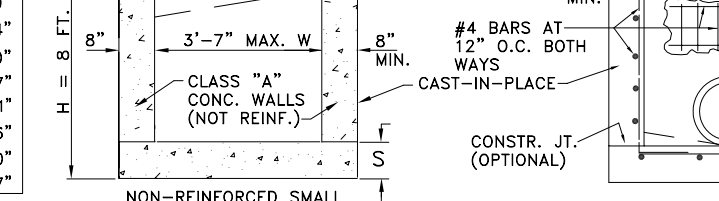
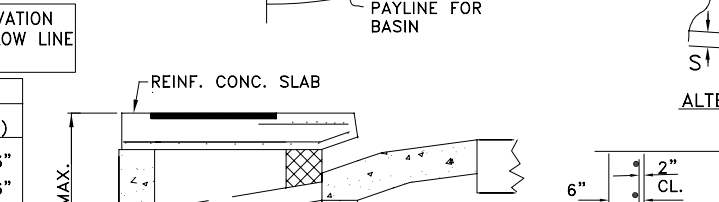
NOTE: THE MIN. H & MIN. ΔE GIVEN IN ABOVE TABLE ARE BASED UPON TYPICAL OUTSIDE DIAMETERS OF CONC. PIPE AND MAY BE VARIED IF CONDITIONS PERMIT WITH VARIOUS DIMENSIONS SPECIFIED IN THE PLANS OR DIRECTED BY THE ENGINEER. W & W1 DIMENSIONS DO NOT HAVE TO BE EQUAL.



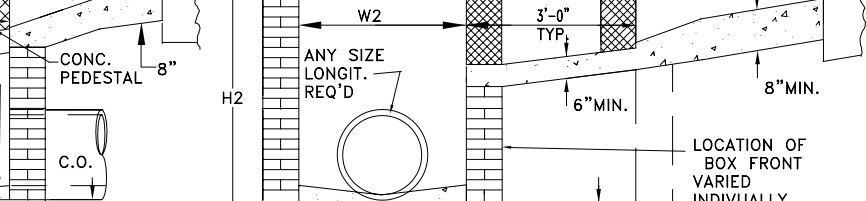
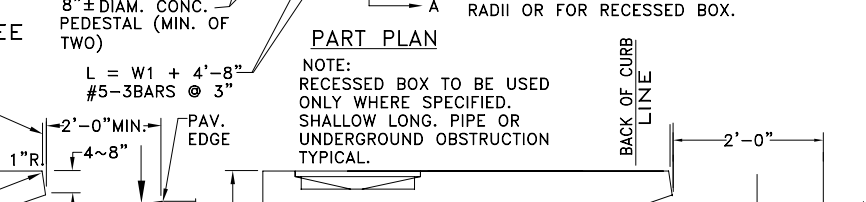
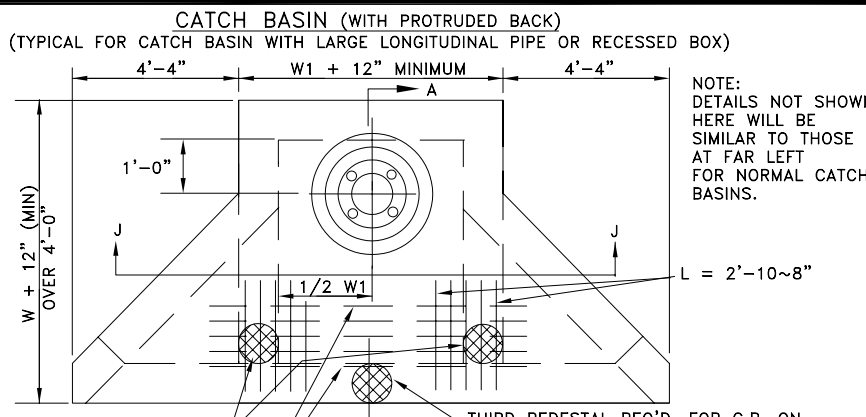
CASTING DETAILS



NOTE: DO NOT LOCATE CATCH BASIN ON RADII IF OTHER ALTERNATES ARE FEASIBLE. DETAILS NOT SHOWN HERE ARE SIMILAR TO THOSE FOR NORMAL CATCH BASINS. PAYMENT FOR CATCH BASIN INCLUDES ALL QUANTITIES FROM PT. 1 TO PT. 2.

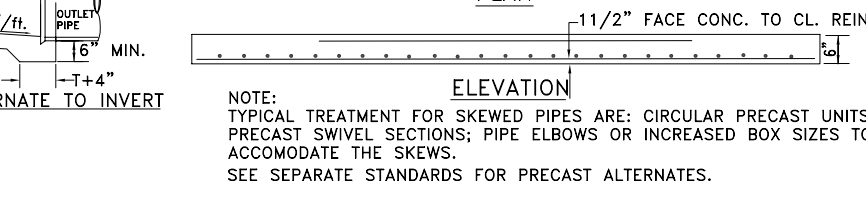
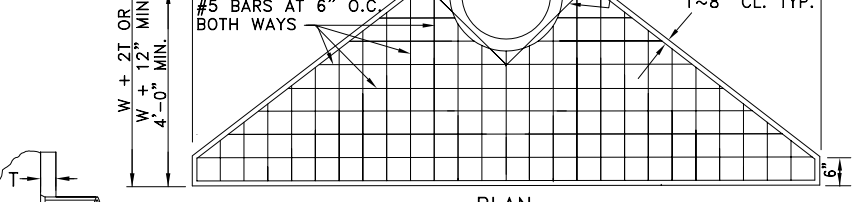
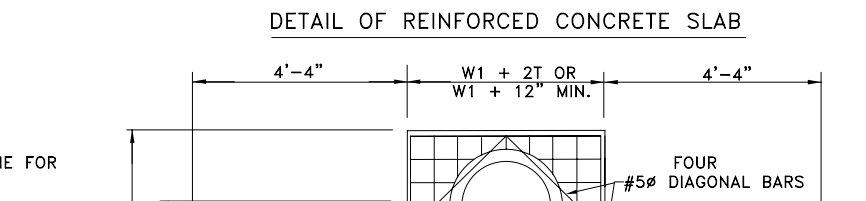


NOTE: DETAILS NOT SHOWN ABOVE FOR CONSTRUCTION ALTERNATES WILL BE SIMILAR TO BRICK CATCH BASIN DETAILS.



NOTE: RECESSED BOX TO BE USED ONLY WHERE SPECIFIED. SHALLOW LONG. PIPE OR UNDERGROUND OBSTRUCTION TYPICAL.

NOTE: H2 & W2 TO BE SHOWN IN THE PLANS



NOTE: TYPICAL TREATMENT FOR SKEWED PIPES ARE: CIRCULAR PRECAST UNITS; PRECAST SWIVEL SECTIONS; PIPE ELBOWS OR INCREASED BOX SIZES TO ACCOMMODATE THE SKEWS. SEE SEPARATE STANDARDS FOR PRECAST ALTERNATES.