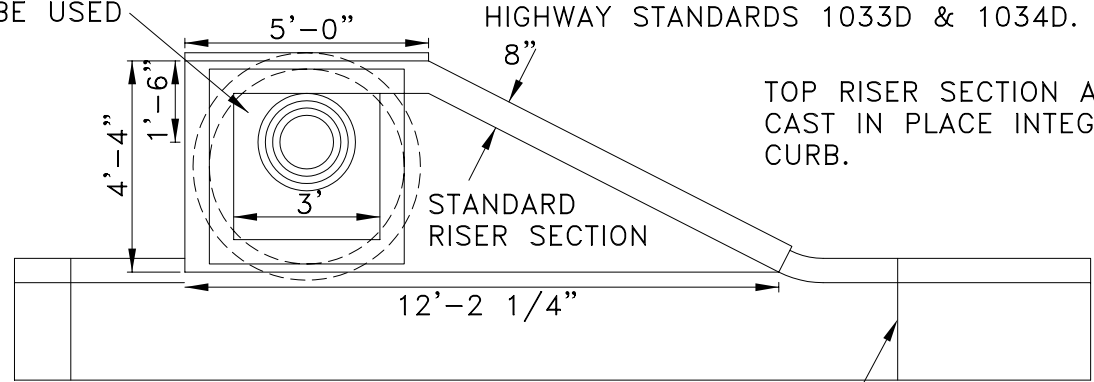


NOTES:

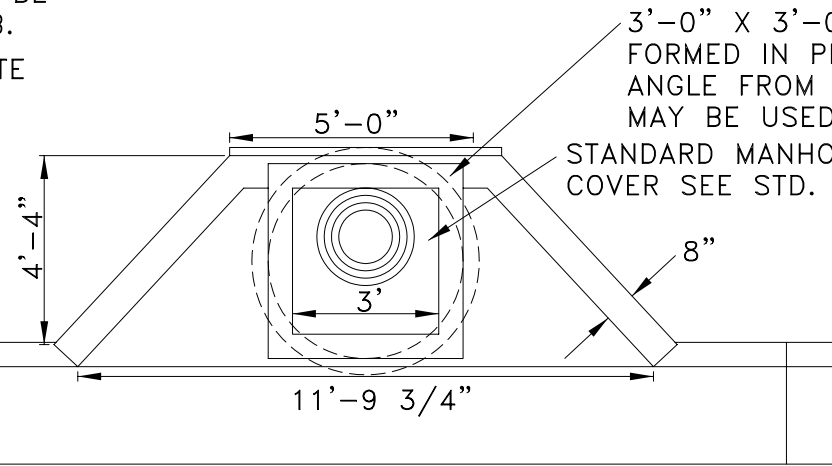
1. 1/2" EXPANSION MATERIAL SHALL BE PLACED AROUND COVER WHERE SIDEWALK IS PLACED ADJACENT TO C.B.
2. TOP SLAB MAY BE CAST IN PLACE OR PRECAST. IF SLAB IS CAST IN PLACE BUILDERS PAPER IS TO BE PLACED BETWEEN THE CATCH BASIN AND TOP SLAB.
3. SINGLE AND DOUBLE WING TOPS CONFORM TO STATE HIGHWAY STANDARDS 1033D & 1034D.

3'-0" X 3'-0" SQ. OPENING FORMED IN PLACE OR ANGLE FROM ADAPTOR MAY BE USED



TOP RISER SECTION AND GUTTER CAST IN PLACE INTEGRAL WITH CURB.

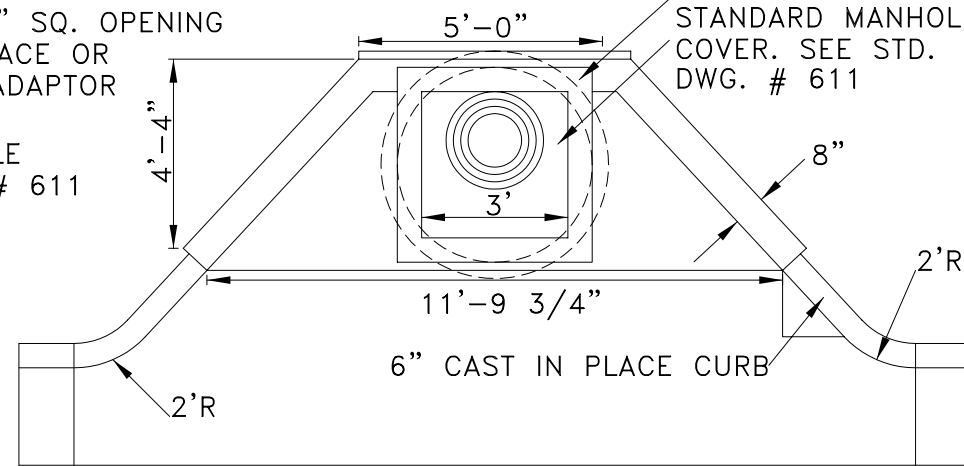
1/2" EXPANSION MATERIAL



3'-0" X 3'-0" SQ. OPENING FORMED IN PLACE OR ANGLE FROM ADAPTOR MAY BE USED

STANDARD MANHOLE COVER SEE STD. # 611

3'-0" X 3'-0" SQ. OPENING FORMED IN PLACE OR ANGLE FROM ADAPTOR MAY BE USED

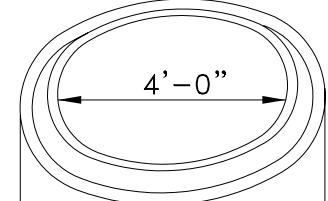
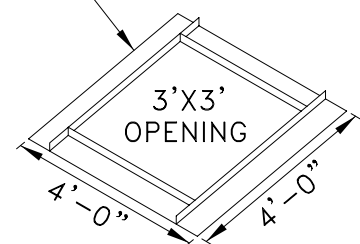


STANDARD MANHOLE COVER. SEE STD. DWG. # 611

6" CAST IN PLACE CURB

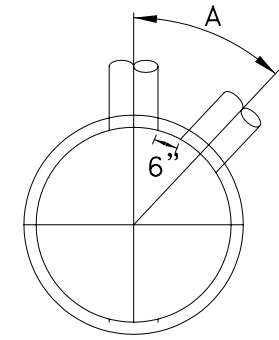
Local Street Cul-de-Sac Only

LIGHT WEIGHT STEEL 12 GAUGE 2"X6" FLANGE MINIMUM



RISER SECTION

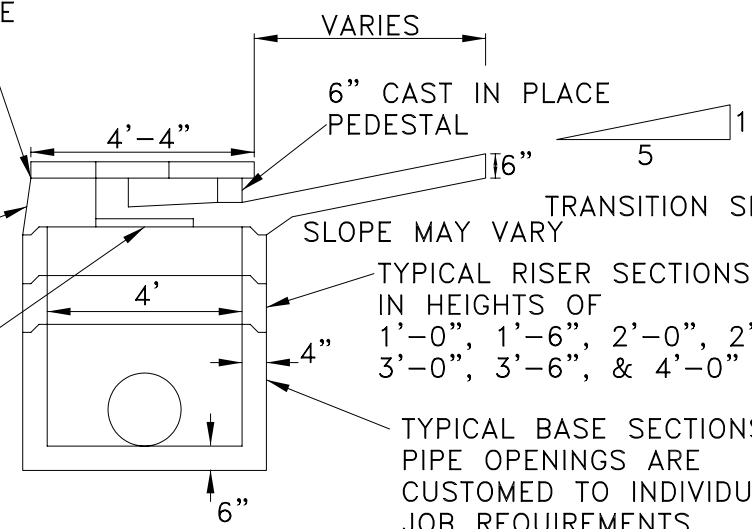
METAL ADAPTER OPTIONAL



COVER SHALL BE SET IN GROUT

TOP RISER SECTION & GUTTER CAST IN PLACE INTEGRAL WITH CURB

3'-0" X 3'-0" SQ. OPENING FORMED IN PLACE, OR ANGLE IRON ADAPTOR MAY BE USED

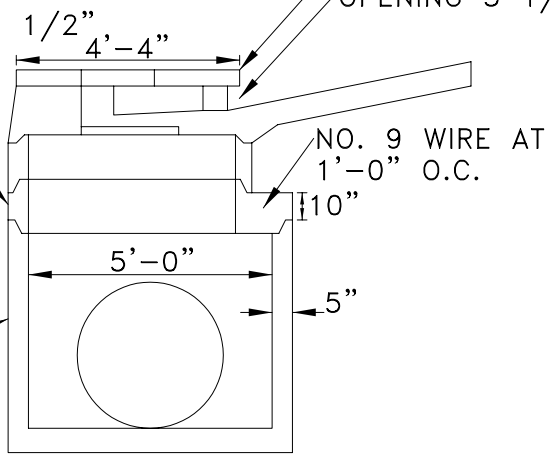


TYPICAL RISER SECTIONS IN HEIGHTS OF 1'-0", 1'-6", 2'-0", 2'-6", 3'-0", 3'-6", & 4'-0"

TYPICAL BASE SECTIONS PIPE OPENINGS ARE CUSTOMED TO INDIVIDUAL JOB REQUIREMENTS.

(WHERE PIPE DIA. REQUIRES 5' DIA. BASE)

TOP OF SLAB TO SLOPE WITH ROAD AND SHOULDER OPENING 5 1/2" TO 7 1/2"



METHOD OF PIPE LAYOUT

ANGLE A					
4'-0" BASE		5'-0" BASE		6'-0" BASE	
PIPE SIZE	A	PIPE SIZE	A	PIPE SIZE	A
12	45°	12	40°		
15	52°	15	47°		
18	60°	18	55°		
21	67°	21	69°		
24	75°	24	70°		
		27	78°		
		30	86°		
		36	115°		
		42	140°	42	90°
				48	115°

NOTES:

1. SUBGRADE TO BE COMPACTED TO 95% STANDARD PROCTOR.
2. REINFORCEMENT STEEL TO BE PLACED TO ALLOW A MINIMUM OF 2" CLEARANCE, EXCEPT WHERE NOTED.
3. REINFORCEMENT STEEL SHALL BE OF INTERMEDIATE GRADE AND SHALL BE 0.12 SQ. IN. PER FT. IN BOTH DIRECTIONS IN ACCORDANCE WITH A.S.T.M. C 476-76 MANHOLE SPECIFICATIONS.
4. ALL CONCRETE SHALL BE CLASS AA1 4500 PSI UNLESS NOTED OTHERWISE.
5. CHAMFER ALL EXPOSED EDGES 3/4"

BY	REVISION	DATE
EOP	REVISE C.I. LID	12/13/00



GWINNETT COUNTY DEPARTMENT OF PLANNING & DEVELOPMENT STANDARD DRAWING

Round Precast Concrete Catch Basins

DATE: JANUARY 1988

SHEET: 606