

TOP & THROAT WILL NOT BE PRECAST.

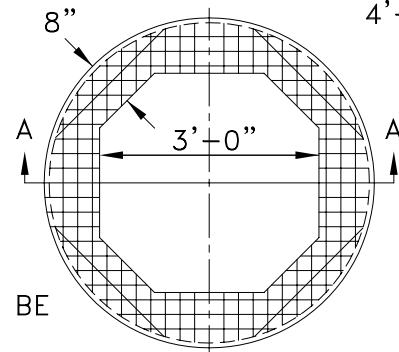
GROUT ALL JOINTS

SQUARE TO ROUND ADAPTER

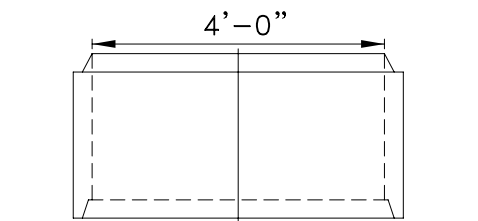
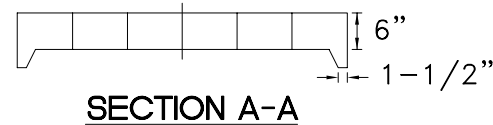
RISER SECTION (IF REQ'D)  
AVAILABLE IN HEIGHTS  
1'-0", 1'-6", 2'-0", 2'-6",  
3'-0", 3'-6", 4'-0"

MONOLITHIC BASE  
HOLES MUST BE PRECAST

REINFORCING TO BE 2/2 6X6 WELDED  
10 GAUGE WIRE FABRIC WITH 4 #5 BARS  
4'-8" DIAMETER

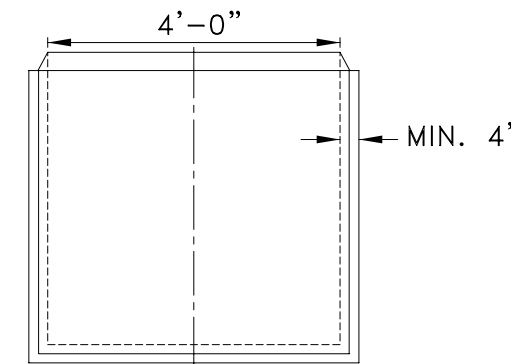


ROUND TO SQUARE ADAPTER

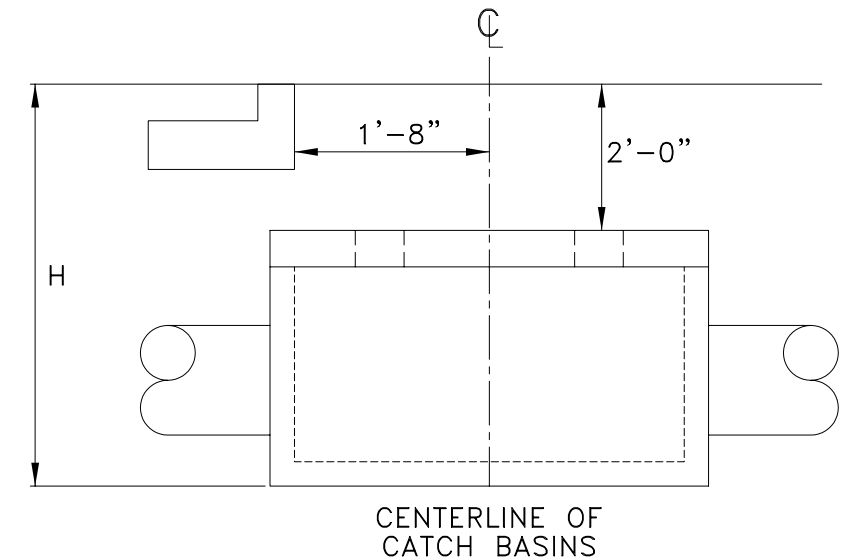
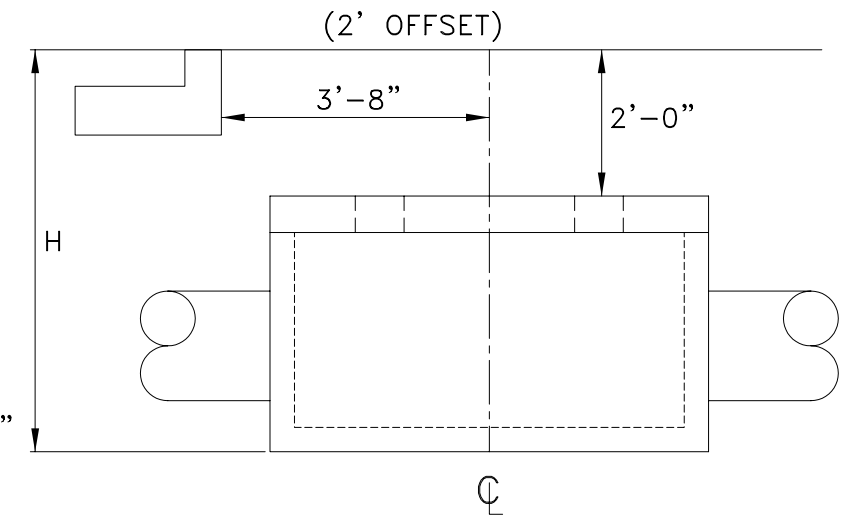


REINFORCING TO BE 2/2 6X6  
WELDED WIRE FABRIC

**RISER**



REINFORCING TO BE 3/3  
6X8 WELDED WIRE FABRIC



**ON-LINE**

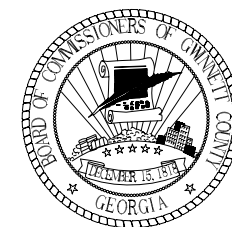
**NOTE:**

1. STEPS TO BE INSTALLED ON 15" VERTICAL SPACING. SEE PRECAST MANHOLE STANDARD FOR SPECIFICATION.

BASE HEIGHT	METAL PIPE	CONC PIPE	H(MIN)
4' DIA - 2'-6"	18"	12"	5'-0"
3'-0"	24"	18"	5'-6"
3'-6"	30"	24"	6'-0"
4'-0"		30"	6'-6"

**NOTES:**

1. CATCH BASIN SHALL BE INSTALLED WITH PIPE OPENING AS SPECIFIED.
2. ALL CONCRETE SHALL BE CLASS AA1 4500 PSI.



GWINNETT COUNTY  
DEPARTMENT OF PLANNING & DEVELOPMENT  
STANDARD DRAWING  
**Standard Precast Round Catch Basin**

DATE: JANUARY 1988

SHEET: 608