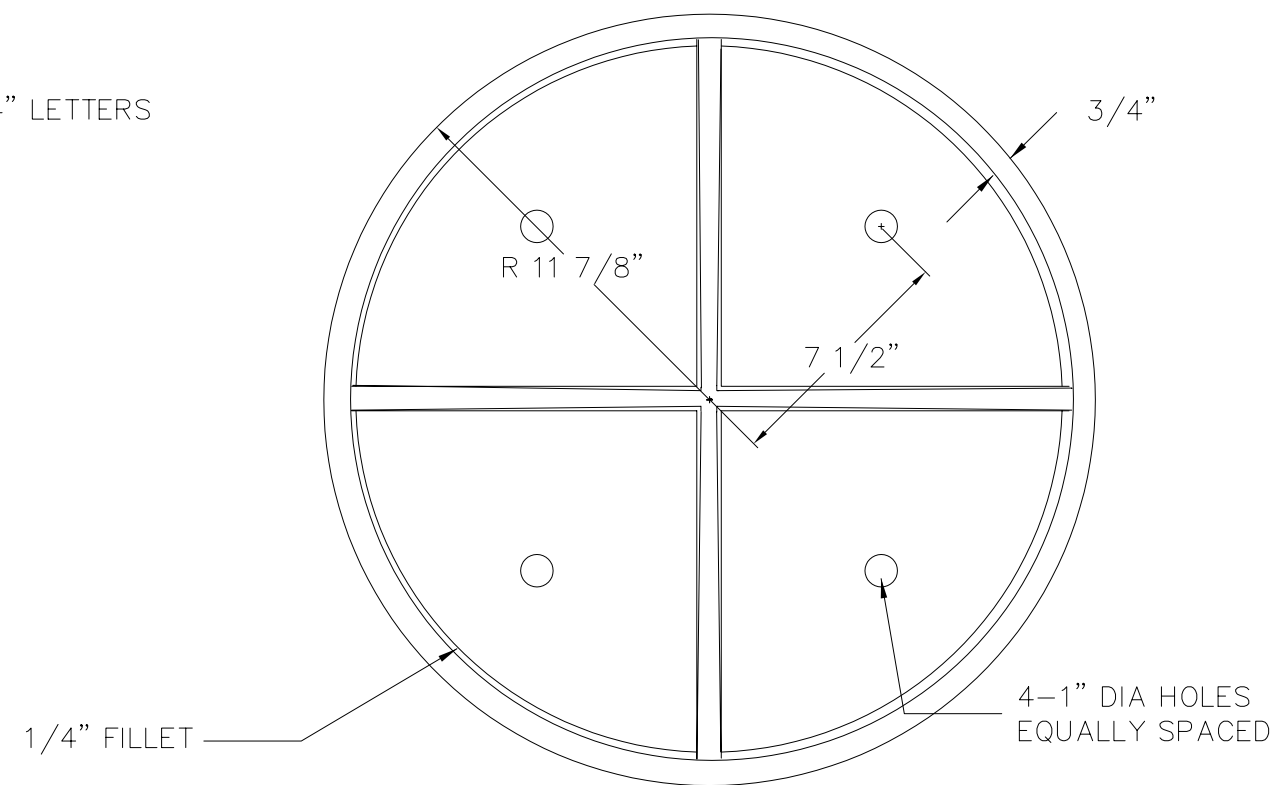
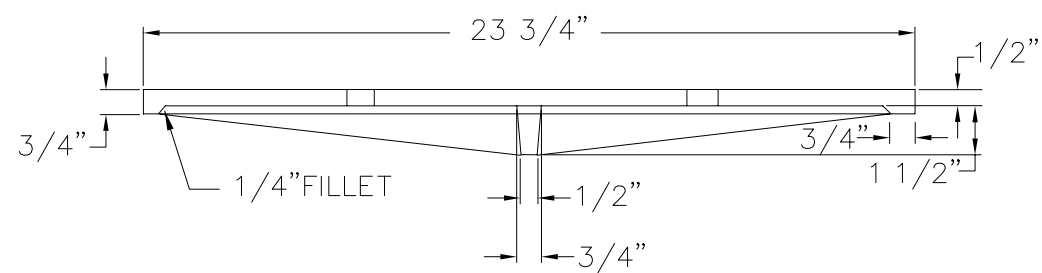




TOP VIEW



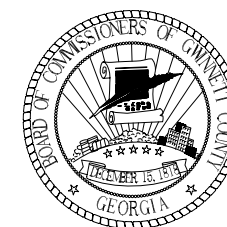
BOTTOM VIEW



COVER SECTION

NOTES:

- Approximate Weight: C.I. Cover 63 lbs.
- Load Rating: Non-Traffic
- Engraving Depth Max.: 3/16"



GWINNETT COUNTY
DEPARTMENT OF PLANNING & DEVELOPMENT
STANDARD DRAWING

Manhole Castings - Non Traffic Areas

DATE: NOVEMBER 2000 SHEET: 611