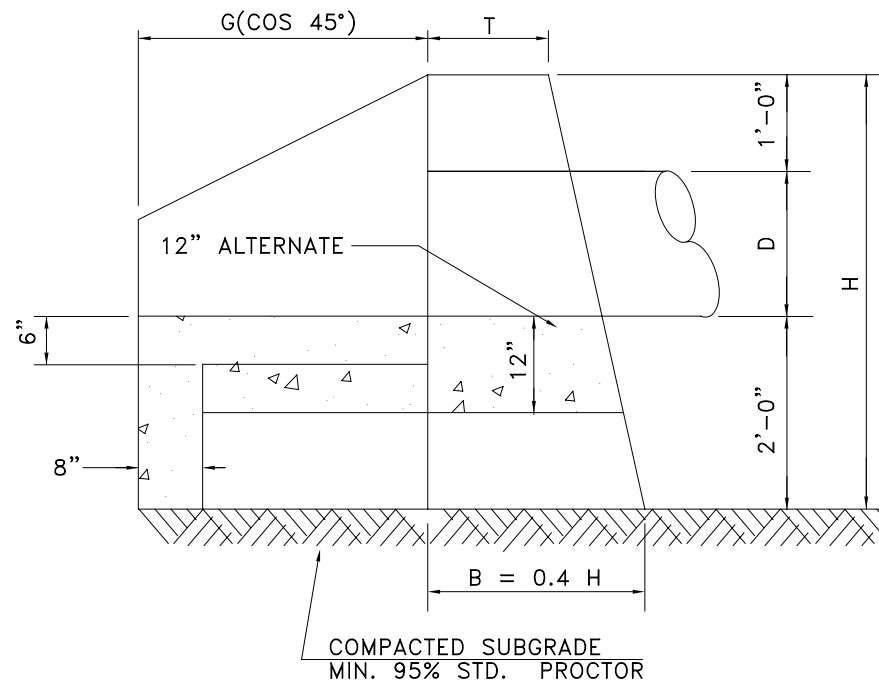
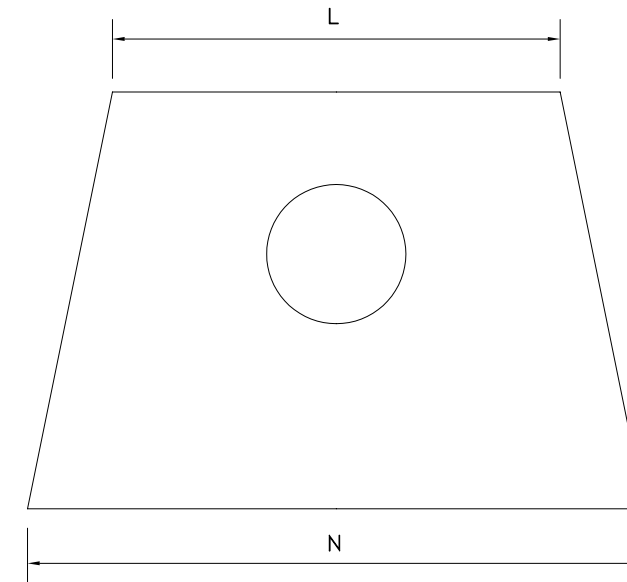


CONCRETE APRON SHALL BE CLASS "A" (3000 PSI)

**PLAN**



**SECTION B-B**

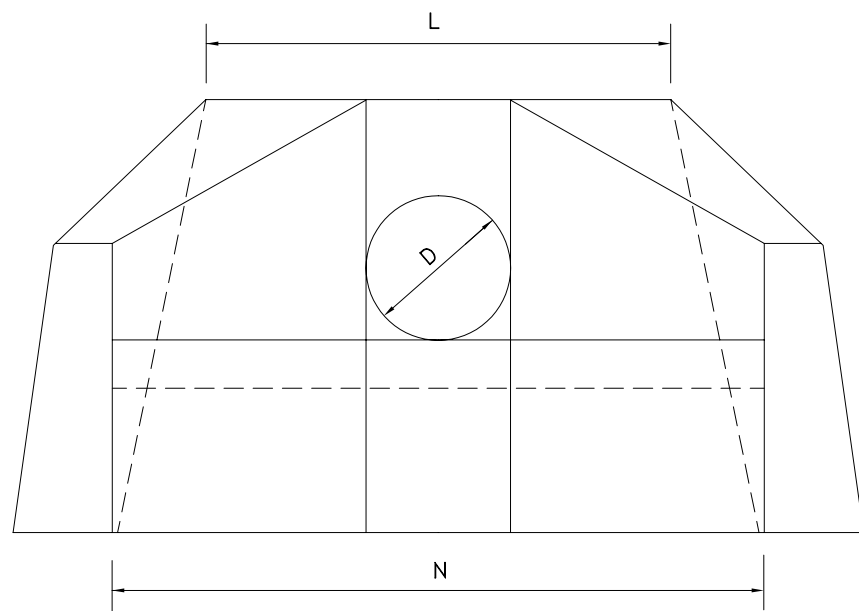


**SECTION A-A**

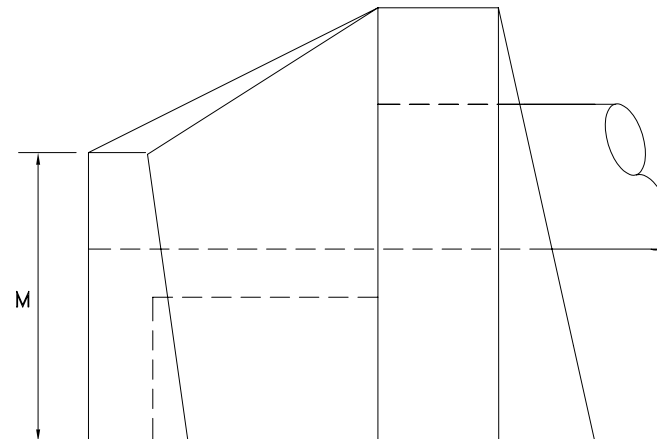
**NOTE:**

HEADWALLS SHALL BE BUILT ACCORDING TO STANDARD SPECIFICATIONS FOR CEMENT RUBBLE MASONRY. STONE SHALL BE BEDDED IN 1/3 PORTLAND CEMENT MORTAR. HEADERS SHALL BE DISTRIBUTED THROUGH WALLS SO AS TO FORM ABOUT ONE SIXTH OF FACE OF WALL, AND SHALL EXTEND ENTIRELY THROUGH THE WALL. WALLS SHALL BE NEATLY TOPPED WITH A LAYER OF 1-1 MORTAR, AT LEAST 1" THICK, TROWELED SMOOTH, AND BEVELED AT EDGES. DEPTH OF WALL BELOW PIPE TO BE VARIED TO SUIT LOCAL CONDITIONS. WHERE DEPTH OF WALL IS INCREASED BY MORE THAN 2'-0" USE 0.4 OF HEIGHT FOR WIDTH OF BASE INSTEAD OF CONTINUING BATTER. 12" ALTERNATE FOOTING MAY BE USED.

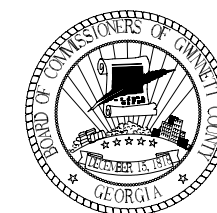
VARIABLE DIMENSIONS								
D	B	G	H	L	M	N	P	T
18	1'-10"	3'-4"	4'-6"	5'-0"	3'-4"	6'-4"	1'-4"	15"
21	1'-11"	3'-6"	4'-9"	5'-3"	3'-6"	6'-11"	1'-5"	15"
24	2'-0"	3'-9"	5'-0"	5'-6"	3'-9"	7'-4"	1'-6"	15"
30	2'-2"	4'-0"	5'-6"	6'-0"	4'-1"	8'-4"	1'-8"	15"
36	2'-5"	4'-6"	6'-0"	6'-6"	4'-5"	9'-4"	1'-10"	15"
42	2'-7"	4'-11"	6'-6"	7'-0"	4'-9"	10'-2"	1'-11"	15"
48	2'-10"	5'-5"	7'-0"	7'-6"	5'-1"	11'-4"	2'-1"	15"
54	3'-0"	5'-11"	7'-6"	8'-0"	5'-5"	12'-2"	2'-2"	15"
60	3'-3"	6'-4"	8'-0"	8'-6"	5'-9"	13'-4"	2'-5"	15"
66	3'-5"	6'-10"	8'-6"	9'-0"	6'-1"	14'-6"	2'-6"	15"
72	3'-7"	7'-4"	9'-0"	9'-6"	6'-5"	15'-2"	2'-7"	15"



**FRONT ELEVATION**



**SIDE ELEVATION**



GWINNETT COUNTY  
DEPARTMENT OF PLANNING & DEVELOPMENT  
STANDARD DRAWING

Standard Rubble Headwall With Wings

DATE: JANUARY 1988

SHEET: 707