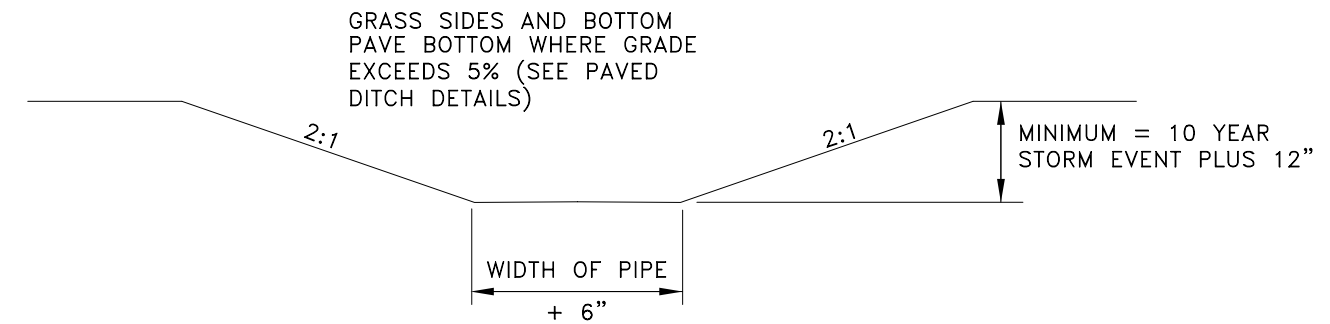
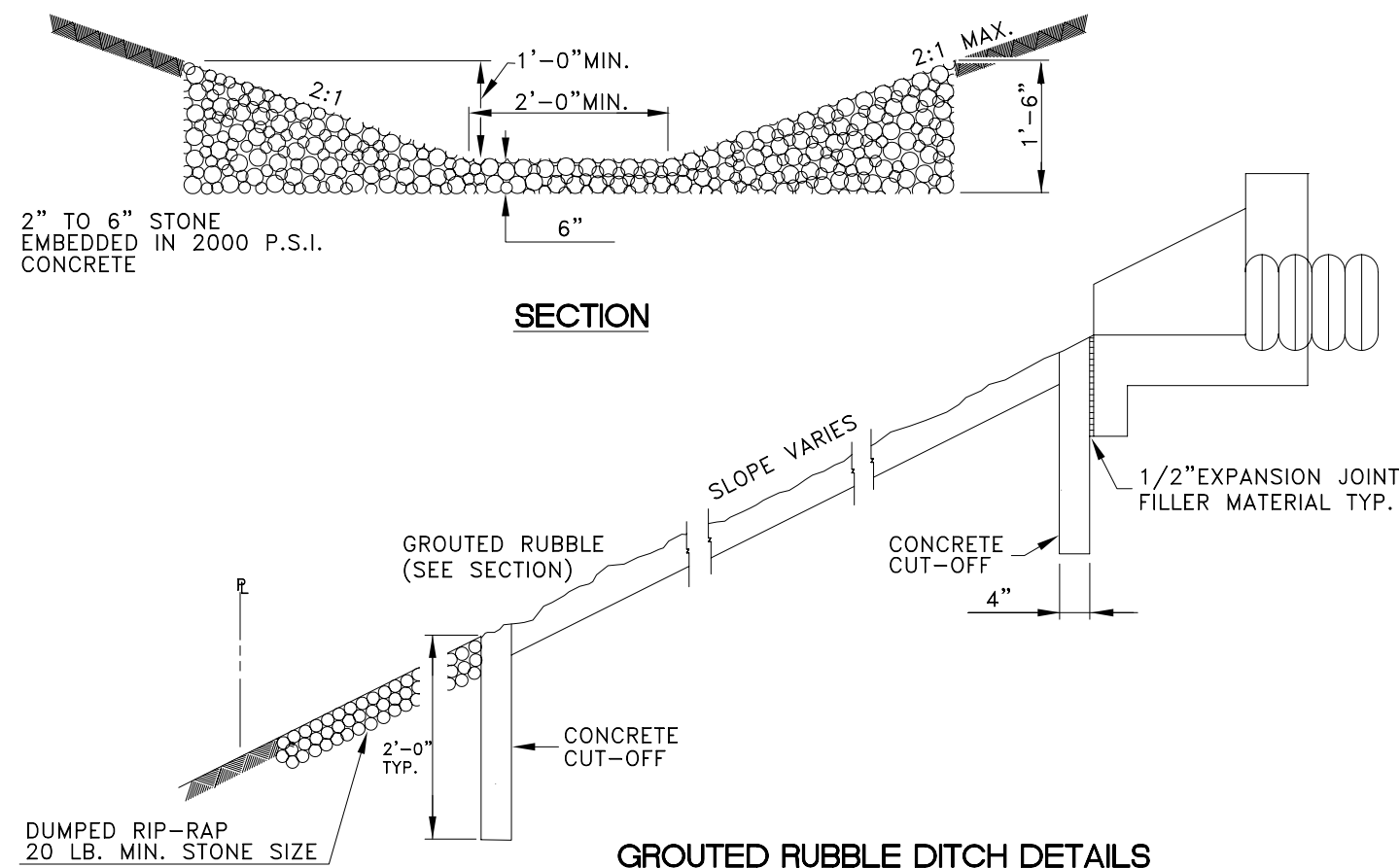


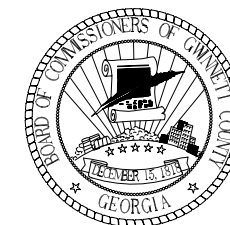
PAVED DITCH DETAILS



TYPICAL DRAINAGE DITCH CROSS SECTION



GROUTED RUBBLE DITCH DETAILS



GWINNETT COUNTY
DEPARTMENT OF PLANNING & DEVELOPMENT
STANDARD DRAWING

Drainage Ditch Details

DATE: JANUARY 1988

SHEET: 709